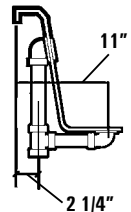


Rough-In Plumbing Measurements



SPECIFICATIONS:

GENERAL SPECIFICATIONS:

Tub Size	60" x 31 1/2" x 30 1/4"
	152 cm x 80 cm x 77 cm
Bathing Well	40" long
	16" wide
	16 1/2" interior depth
Shipping Weight	194 lbs. / 88 kg
Tub Weight Filled	432 lbs. / 196 kg
Tub Only Weight	90 lbs. / 41 kg
Gallons to Overflow	41 gal. / 155 L

STANDARD EQUIPMENT:

Aquatic Quality Features:

- Slip Resistant Floor
- Deep Bathing Well
- Claw Feet Available in Chrome, Polished Brass, Satin Nickel, Polished Nickel, Oil Rubbed Bronze and White
- Thick, Durable Acrylic Surface
- Available in White Only

UL & IAPMO Listed

Limited Lifetime Warranty

OPTIONAL EQUIPMENT:

- Comfort Pillow - Oval or Rectangle (White, Biscuit or Black)
- Freestanding Waste and Overflow
 - Chrome, Polished Brass, Polished Nickel, Satin Nickel, Oil Rubbed Bronze or White

**Fax-On-Demand
Document #1261**

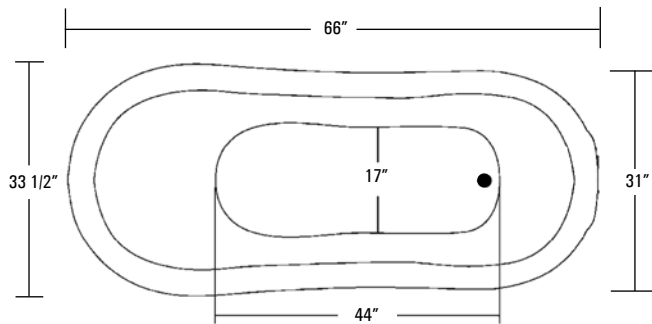
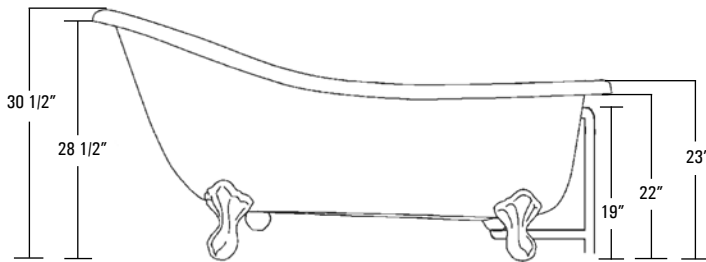


The manufacturer accepts a 1/4" variance. There are variations on each tub and specifications are subject to change as we improve upon our product as required. The dimensions needed for site preparation and structure building should be measured from the tub; Aquatic Industries, Inc. assumes no responsibility for preparatory work. www.aquaticwhirlpools.com 800.555.5324

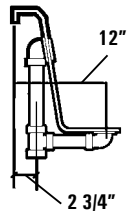
RESTORATION 2

AQUATIC

RESTORATION SERIES MODEL # AIY6617TO



Rough-In Plumbing Measurements



SPECIFICATIONS:

GENERAL SPECIFICATIONS:

Tub Size	66" x 33 1/2" x 30 1/2" 168 cm x 79 cm x 78 cm
Bathing Well	44" long 17" wide 16 1/2" interior depth
Shipping Weight	194 lbs. / 88 kg
Tub Weight Filled	519 lbs. / 236 kg
Tub Only Weight	102 lbs. / 46 kg
Gallons to Overflow	50 gal. / 189 L

STANDARD EQUIPMENT:

Aquatic Quality Features:

- Slip Resistant Floor
- Deep Bathing Well
- Claw Feet Available in Chrome, Polished Brass, Satin Nickel, Polished Nickel, Oil Rubbed Bronze and White
- Thick, Durable Acrylic Surface
- Available in White Only

UL & IAPMO Listed

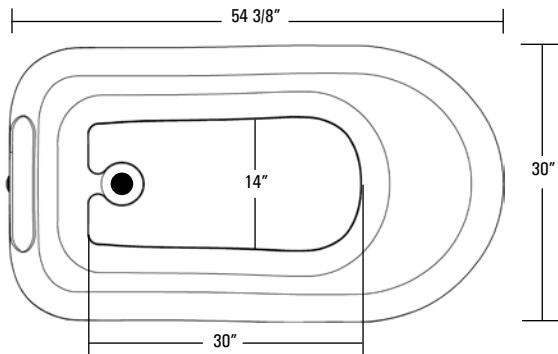
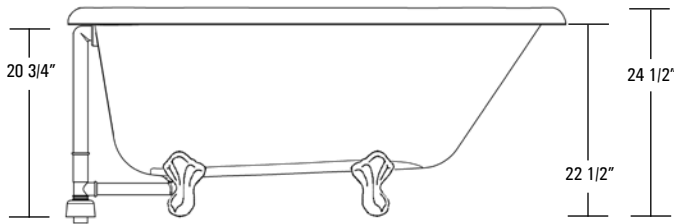
Limited Lifetime Warranty

OPTIONAL EQUIPMENT:

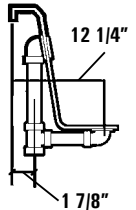
- Comfort Pillow - Oval or Rectangle (White, Biscuit or Black)
- Freestanding Waste and Overflow
 - Chrome, Polished Brass, Polished Nickel, Satin Nickel, Oil Rubbed Bronze or White

**Fax-On-Demand
Document #1262**





Rough-In Plumbing Measurements



SPECIFICATIONS:

GENERAL SPECIFICATIONS:

Tub Size	54 3/8" x 30" x 24 1/2"
	138 cm x 76 cm x 62 cm
Bathing Well	30" long
	14" wide
	17 1/4" interior depth
Shipping Weight	110 lbs. / 50 kg
Tub Weight Filled	425 lbs. / 193 kg
Tub Only Weight	83 lbs. / 38 kg
Gallons to Overflow	41 gal. / 155 L

STANDARD EQUIPMENT:

Aquatic Quality Features:

- Slip Resistant Floor
- Deep Bathing Well
- Claw Feet Available in Chrome, Polished Brass, Satin Nickel, Polished Nickel, Oil Rubbed Bronze and White
- Thick, Durable Acrylic Surface
- Available in White Only

UL & IAPMO Listed

Limited Lifetime Warranty

OPTIONAL EQUIPMENT:

- Comfort Pillow - Oval or Rectangle (White, Biscuit or Black)
- Freestanding Waste and Overflow
 - Chrome, Polished Brass, Polished Nickel, Satin Nickel, Oil Rubbed Bronze or White

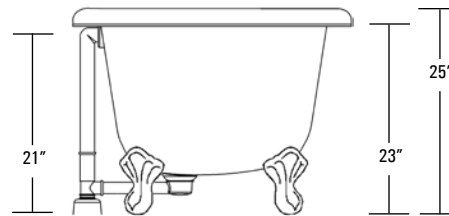
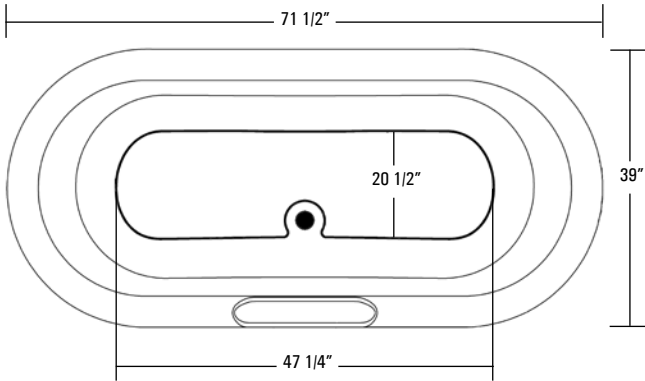
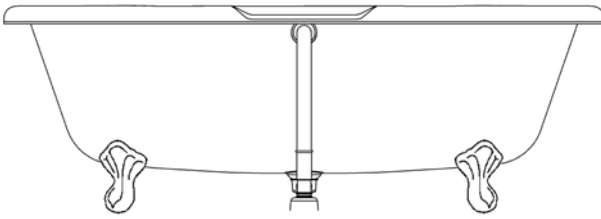
**Fax-On-Demand
Document # 1263**



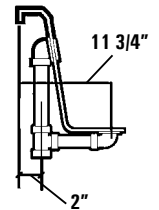
RESTORATION 4

AQUATIC

RESTORATION SERIES MODEL # AIY6717TO



Rough-In Plumbing Measurements



SPECIFICATIONS:

GENERAL SPECIFICATIONS:

Tub Size	71 1/2" x 39" x 25"
	182 cm x 99 cm x 64 cm
Bathing Well	47 1/4" long
	20 1/2" wide
	16 1/2" interior depth
Shipping Weight	194 lbs. / 88 kg
Tub Weight Filled	784 lbs. / 356 kg
Tub Only Weight	126 lbs. / 57 kg
Gallons to Overflow	79 gal. / 299 L

STANDARD EQUIPMENT:

Aquatic Quality Features:

- Slip Resistant Floor
 - Deep Bathing Well
 - Claw Feet Available in Chrome, Polished Brass, Satin Nickel, Polished Nickel, Oil Rubbed Bronze and White
 - Thick, Durable Acrylic Surface
 - Available in White Only
- UL & IAPMO Listed**
Limited Lifetime Warranty

OPTIONAL EQUIPMENT:

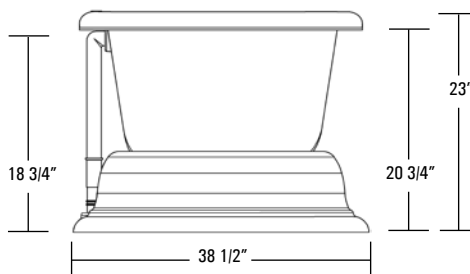
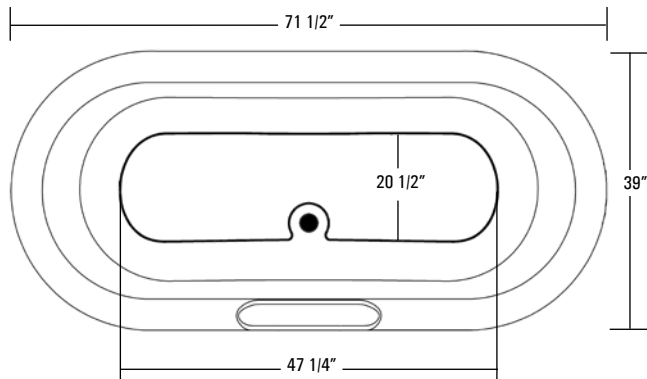
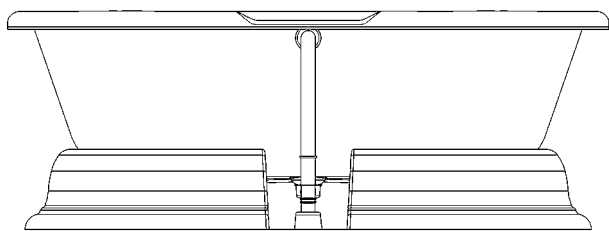
- Comfort Pillow - Oval or Rectangle (White, Biscuit or Black)
- Freestanding Waste and Overflow
 - Chrome, Polished Brass, Polished Nickel, Satin Nickel, Oil Rubbed Bronze or White

Fax-On-Demand
Document #1264

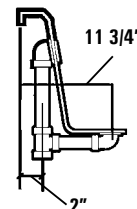


The manufacturer accepts a 1/4" variance. There are variations on each tub and specifications are subject to change as we improve upon our product as required. The dimensions needed for site preparation and structure building should be measured from the tub; Aquatic Industries, Inc. assumes no responsibility for preparatory work.

www.aquaticwhirlpools.com 800.555.5324



Rough-In Plumbing Measurements



SPECIFICATIONS:

GENERAL SPECIFICATIONS:

Tub Size	71 1/2" x 39" x 23"
	182 cm x 99 cm x 64 cm
Bathing Well	47 1/4" long
	20 1/2" wide
	16 1/2" interior depth
Shipping Weight	194 lbs. / 88 kg
Tub Weight Filled	519 lbs. / 236 kg
Tub Only Weight	126 lbs. / 57 kg
Gallons to Overflow	79 gal. / 299 L

STANDARD EQUIPMENT:

- Aquatic Quality Features:**
- Slip Resistant Floor
 - Deep Bathing Well
 - Acrylic Pedestal
 - Thick, Durable Acrylic Surface
 - Available in White Only
- UL & IAPMO Listed**
Limited Lifetime Warranty

OPTIONAL EQUIPMENT:

- Comfort Pillow - Oval or Rectangle (White, Biscuit or Black)
- Freestanding Waste and Overflow
 - Chrome, Polished Brass, Polished Nickel, Satin Nickel, Oil Rubbed Bronze or White

**Fax-On-Demand
Document #1265**

