

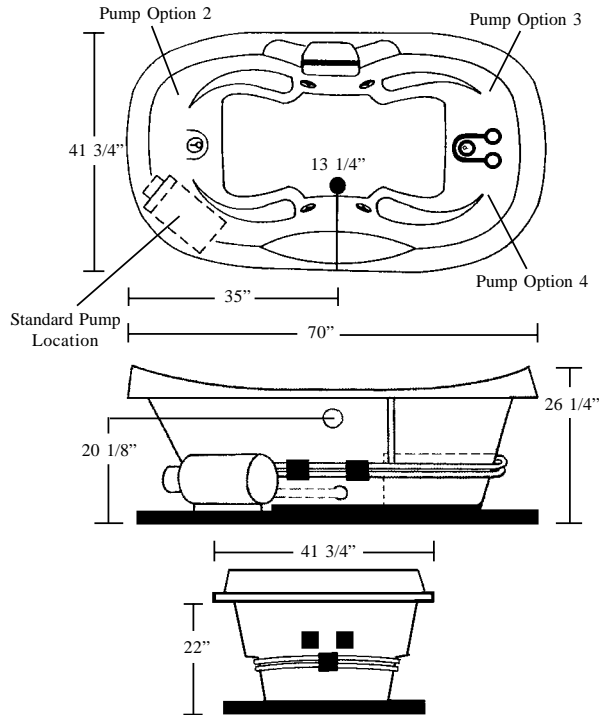
# UNIVERSAL OVAL

AQUATIC

**LUXURY SERIES MODEL # AI7242RUO / AI7242RUOTO (Tub Only)**

**NEXT DAY SHIP MODEL / WHIRLPOOL ONLY**

• Next Day Ship Model equipped with heater; upcharge applies.



Two Person Bath



ALSO AVAILABLE AS TUB ONLY

## EQUIPMENT LEGEND

- Drain
- Standard Pump Location
- Rotary Massage Jet
- Full Size Pressure-Flo Hydrotherapy Jet
- StressEaz Neck and Shoulder Therapy System II

Note: Tub Only units do not come standard with the Pre-leveled ABS Support Base except for those ordered with the HotSoak option.

## SPECIFICATIONS:

### General Specifications:

|                     |   |
|---------------------|---|
| Tub Size            | 70" x 41 3/4" x 26 1/4"<br>178 cm x 106 cm x 67 cm      |
| Bathing Well        | 42 1/2" long<br>23" wide<br>23 1/4" interior depth      |
| Shipping Weight     | 219 lbs. / 99 kg  |
| Tub Weight Filled   | 919 lbs. / 417 kg                                       |
| Tub Only Weight     | 134 lbs. / 61 kg  |
| Gallons to Overflow | 95 gal. / 360 L   |
| Gallons to Operate  | 1 bather: 76 gal. / 288 L<br>2 bathers: 57 gal. / 216 L |

### Electrical Specifications:

|                             |   |
|-----------------------------|---|
| Pump Requirement            | 1.75 HP; 12 AMP; 110V<br>15 AMP; 110V, separate circuit required protected w/ Class A GFCI  |
| Optional Heater Requirement | 1.5 kW; 12.5 AMP; 110V<br>15 AMP; 110V, separate circuit required protected w/ Class A GFCI |

### Tub Only with Hot Soak Electrical Specifications:

|                              |   |
|------------------------------|---|
| Pump                         | 1/15 HP; 1.3 AMP; 110V  |
| Optional Heater Requirements | 1.5 kW; 12.5 AMP; 110V<br>20 AMP; 110V, separate circuit required protected w/ Class A GFCI |

### STANDARD EQUIPMENT:

- **8 Hydrotherapy Jets including:**  
4 Full Size Pressure-Flo Hydrotherapy Jets  
2 Recessed Rotary Massage Jets  
2 StressEaz Neck & Shoulder Therapy Jets
- **Aquatic Quality Features:**  
1.5 HP Run-Dry Pump with 20-Minute Timer  
Bath-Side On/Off Electronic Button  
"Quiet Pad" Anti-Vibration Pump Mount for Quiet Pump Operation  
Extra Deep Bathing Well  
Acrylic Grab Bar  
4 Arm Rests  
Slip Resistant Floor  
Pre-leveled ABS Support Base (Whirlpool & Hot Soak)  
Heat-bent Rigid PVC Piping for Optimum Sanitary Conditions  
Durable, Easy to Clean, Lucite® Cast Acrylic Surface  
Available in 8 Standard No-Charge Colors
- **UL & IAPMO Listed, Factory Tested**
- **Limited 10 Year Warranty**

**Fax-On-Demand Document # 1055**



### OPTIONAL EQUIPMENT:

- Chromotherapy LED Lighting
- Comfort Pillow -- Oval or Rectangle
- Jet Finish  
-- Chrome, Polished Brass, Gold, Polished Nickel or Satin Nickel
- Grab Bar  
-- Chrome, Polished Brass, Gold, Polished Nickel or Satin Nickel
- 1.5 kW Inline Maintenance Heater
- HotSoak - Factory Installed Pump Maintenance Heater (Tub Only)
- Lift & Turn Waste and Overflow  
-- Chrome, Polished Brass, Gold, Polished Nickel or Satin Nickel
- Cable Drive Waste and Overflow  
-- Chrome, Polished Brass, Gold, Polished Nickel, Satin Nickel or Color Matched (Bone, White & Biscuit Only)
- Hand Held Jet
- Decorative Rim Kit -- Chrome or Polished Brass
- 2 HP, 3-Speed Run-Dry Pump Upgrade
- Optional Pump Location
- Remote Pump Location
- Pre-leveled ABS Support Base (Tub Only)
- Premium Colors

*All acrylic colors featured by Aquatic match the industry's leading fixture manufacturers.*

The manufacturer accepts a 1/4" variance. There are variations on each tub and specifications are subject to change as we improve upon our product as required. The dimensions needed for site preparation and structure building should be measured from the tub; Aquatic Industries, Inc. assumes no responsibility for preparatory work.