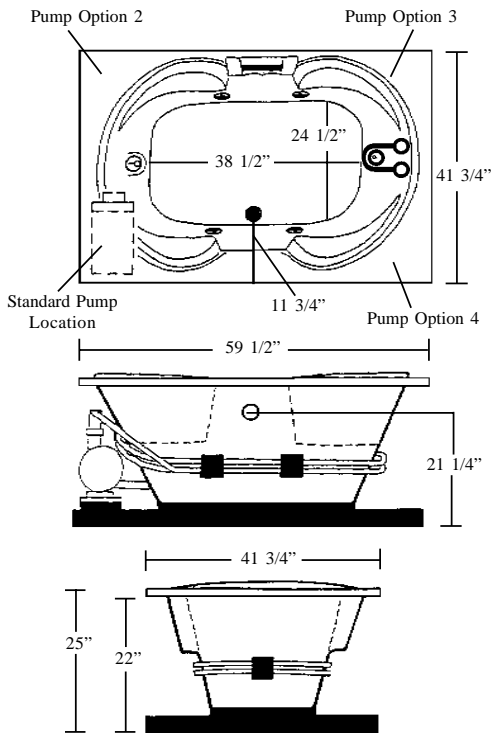


LUXURY SERIES MODEL # AI6042CL / AI6042CLTO (Tub Only)

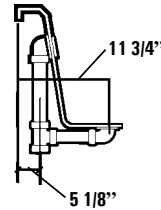


Two Person Bath



ALSO AVAILABLE AS TUB ONLY

Rough-In Plumbing Measurements



EQUIPMENT LEGEND

- Drain
- Standard Pump Location
- StressEaz Neck and Shoulder Therapy System II
- Rotary Massage Jet
- Full Size Pressure-Flo Hydrotherapy Jet

Note: Tub Only units do not come standard with the Pre-leveled ABS Support Base except for those ordered with the HotSoak option.

SPECIFICATIONS:

General Specifications:

Tub Size	59 1/2" x 41 3/4" x 25"
	151 cm x 106 cm x 64 cm
Bathing Well	38 1/2" long
	24 1/2" wide
	22 3/4" interior depth
Shipping Weight	180 lbs. / 82 kg
Tub Weight Filled	863 lbs. / 391 kg
Tub Only Weight	114 lbs. / 52 kg
Gallons to Overflow	90 gal. / 341 L
Gallons to Operate	1 bather: 70 gal. / 265 L
	2 bathers: 51 gal. / 193 L

Electrical Specifications:

Pump Requirement	1.75 HP; 12 AMP; 110V
Optional Heater Requirement	1.5 kW; 12.5 AMP; 110V
	15 AMP; 110V, separate circuit required protected w/ Class A GFCI

Tub Only with Hot Soak Electrical Specifications:

Pump Requirements	1/15 HP; 1.3 AMP; 110V
Optional Heater Requirements	1.5 kW; 12.5 AMP; 110V
	20 AMP; 110V, separate circuit required protected w/ Class A GFCI

STANDARD EQUIPMENT:

- **8 Hydrotherapy Jets including:**
 - 4 Full Size Pressure-Flo Hydrotherapy Jets
 - 2 Recessed Rotary Massage Jets
 - 2 StressEaz Neck & Shoulder Therapy Jets
- **Aquatic Quality Features:**
 - 1.5 HP Run-Dry Pump with 20-Minute Timer
 - Bath-Side On/Off Electronic Button
 - "Quiet Pad" Anti-Vibration Pump Mount for Quiet Pump Operation
 - Acrylic Grab Bar
 - 4 Arm Rests
 - Slip Resistant Floor
 - Pre-leveled ABS Support Base (Whirlpool & Hot Soak)
 - Heat-bent Rigid PVC Piping for Optimum Sanitary Conditions
 - Durable, Easy to Clean, Lucite® Cast Acrylic Surface
 - Available in 8 Standard No-Charge Colors
- **UL & IAPMO Listed, Factory Tested**
- **Limited 10 Year Warranty**

Fax-On-Demand Document # 1044



OPTIONAL EQUIPMENT:

- Chromatherapy LED Lighting
- Comfort Pillow -- Oval or Rectangle
- Jet Finish
 - Chrome, Polished Brass, Gold, Polished Nickel or Satin Nickel
- Grab Bar
 - Chrome, Polished Brass, Gold, Polished Nickel or Satin Nickel
- 1.5 kW Inline Maintenance Heater
- HotSoak - Factory Installed Pump & Maintenance Heater (Tub Only)
- Lift & Turn Waste and Overflow
 - Chrome, Polished Brass, Gold, Polished Nickel or Satin Nickel
- Cable Drive Waste and Overflow
 - Chrome, Polished Brass, Gold, Polished Nickel, Satin Nickel or Color Matched (Bone, White & Biscuit Only)
- Hand Held Jet
- Factory Installed Rigid ABS Tile Flange*
- Decorative Rim Kit -- Chrome or Polished Brass
- 2 HP, 3-Speed Run-Dry Pump Upgrade
- Optional Pump Location
- Remote Pump Location
- Pre-leveled ABS Support Base (Tub Only)
- Color Matched Acrylic Skirt
- Premium Colors

All acrylic colors featured by Aquatic match the industry's leading fixture manufacturers.

*This unit is not recommended for shower installations.

The manufacturer accepts a 1/4" variance. There are variations on each tub and specifications are subject to change as we improve upon our product as required. The dimensions needed for site preparation and structure building should be measured from the tub; Aquatic Industries, Inc. assumes no responsibility for preparatory work.