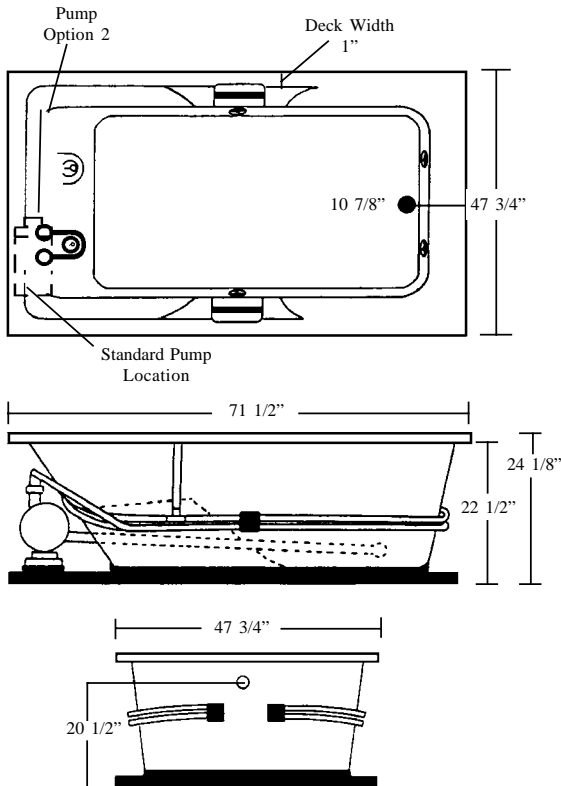


# DEL RAY

**LUXURY SERIES MODEL # A17248R**

AQUATIC

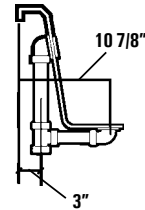


Two Person Bath



CAN BE USED IN AN UNDERMOUNT APPLICATION

### Rough-In Plumbing Measurements



### EQUIPMENT LEGEND

- Drain
- Standard Pump Location
- StressEaz Neck and Shoulder Therapy System II
- Rotary Massage Jet
- Full Size Pressure-Flo Hydrotherapy Jet

## SPECIFICATIONS:

### General Specifications:

Tub Size	71 1/2" x 47 3/4" x 24 1/8"
	182 cm x 121 cm x 61 cm
Bathing Well	43" long
	31" wide
	23 1/4" interior depth
Shipping Weight	254 lbs. / 115 kg
Tub Weight Filled	1230 lbs. / 558 kg
Gallons to Overflow	131 gal. / 496 L
Gallons to Operate	1 bather: 111 gal. / 420 L
	2 bathers: 91 gal. / 344 L

### Electrical Specifications:

Pump Requirement	1.75 HP; 12 AMP; 110V
	15 AMP; 110V, separate circuit required protected w/ Class A GFCI
Optional Heater Requirement	1.5 kW; 12.5 AMP; 110V
	15 AMP; 110V, separate circuit required protected w/ Class A GFCI

### STANDARD EQUIPMENT:

- **8 Hydrotherapy Jets including:**
  - 4 Full Size Pressure-Flo Hydrotherapy Jets
  - 2 Recessed Rotary Massage Jets
  - 2 StressEaz Neck & Shoulder Therapy Jets
- **Aquatic Quality Features:**
  - 1.5 HP Run-Dry Pump with 20-Minute Timer
  - Bath-Side On/Off Electronic Button
  - "Quiet Pad" Anti-Vibration Pump Mount for Quiet Pump Operation
  - 2 Acrylic Grab Bars
  - 2 Arm Rests
  - Slip Resistant Floor
  - Pre-leveled ABS Support Base
  - Heat-bent Rigid PVC Piping for Optimum Sanitary Conditions
  - Durable, Easy to Clean, Lucite® Cast Acrylic Surface
  - Available in 8 Standard No-Charge Colors
- **UL & IAPMO Listed, Factory Tested**
- **Limited 10 Year Warranty**

### OPTIONAL EQUIPMENT:

- Chromatherapy LED Lighting
- Comfort Pillow - Oval or Rectangle
- Jet Finish
  - Chrome, Polished Brass, Gold, Polished Nickel or Satin Nickel
- Grab Bar
  - Chrome, Polished Brass, Gold, Polished Nickel or Satin Nickel
- 1.5 kW Inline Maintenance Heater
- Lift & Turn Waste and Overflow
  - Chrome, Polished Brass, Gold, Polished Nickel or Satin Nickel
- Cable Drive Waste and Overflow
  - Chrome, Polished Brass, Gold, Polished Nickel, Satin Nickel or Color Matched (Bone, White & Biscuit Only)
- Hand Held Jet
- Factory Installed Rigid ABS Tile Flange
- Decorative Rim Kit - Chrome or Polished Brass
- 2 HP, 3-Speed Run-Dry Pump Upgrade
- Optional Pump Location
- Remote Pump Location
- Color Matched Acrylic Skirt
- Premium Colors

*All acrylic colors featured by Aquatic match the industry's leading fixture manufacturers.*

**Fax-On-Demand Document # 1039**



The manufacturer accepts a 1/4" variance. There are variations on each tub and specifications are subject to change as we improve upon our product as required. The dimensions needed for site preparation and structure building should be measured from the tub; Aquatic Industries, Inc. assumes no responsibility for preparatory work.