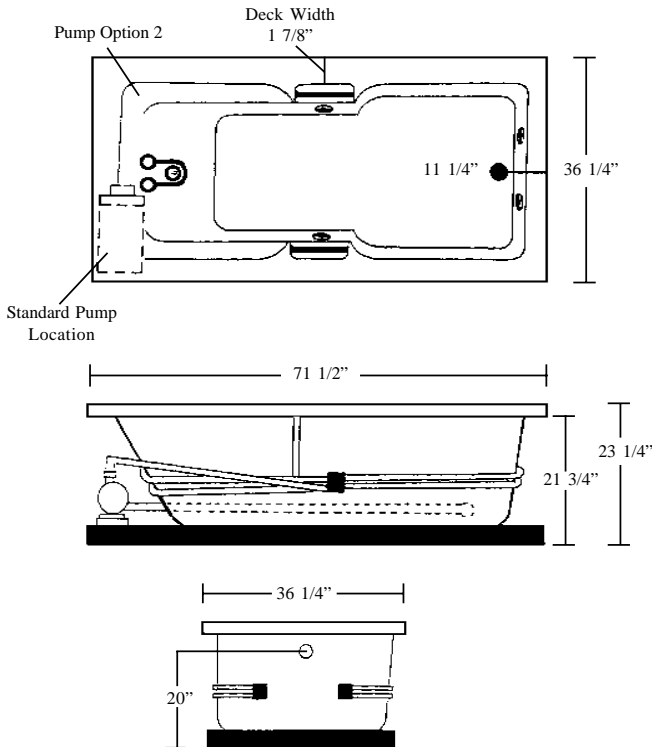


**LUXURY SERIES MODEL # AI7236R / AI7236RTO (Tub Only)**

**NEXT DAY SHIP MODEL / WHIRLPOOL ONLY**

• Next Day Ship Model equipped with heater; upcharge applies.



Note: Tub Only units do not come standard with the Pre-leveled ABS Support Base except for those ordered with the HotSoak option.



**CAN BE USED IN AN UNDERMOUNT APPLICATION**

**EQUIPMENT LEGEND**

- Drain
- Standard Pump Location
- StressEaz Neck and Shoulder Therapy System II
- Rotary Massage Jet
- Full Size Pressure-Flo Hydrotherapy Jet

**SPECIFICATIONS:**

**General Specifications:**

Tub Size	71 1/2" x 36 1/4" x 23 1/4"
	182 cm x 92 cm x 59 cm
Bathing Well	48 1/2" long
	24" wide
	21 3/4" interior depth
Shipping Weight	209 lbs. / 95 kg
Tub Weight Filled	868 lbs. / 394 kg
Tub Only Weight	126 lbs. / 57 kg
Gallons to Overflow	90 gal. / 341 L
Gallons to Operate	71 gal. / 269 L

**Electrical Specifications:**

Pump	1.75 HP; 12 AMP; 110V
Requirement	15 AMP; 110V, separate circuit required protected w/ Class A GFCI
Optional Heater	1.5 kW; 12.5 AMP; 110V
Requirement	15 AMP; 110V, separate circuit required protected w/ Class A GFCI

**Tub Only with Hot Soak Electrical Specifications:**

Pump	1/15 HP; 1.3 AMP; 110V
Optional Heater	1.5 kW; 12.5 AMP; 110V
Requirements	20 AMP; 110V, separate circuit required protected w/ Class A GFCI

**STANDARD EQUIPMENT:**

- **7 Hydrotherapy Jets including:**
  - 4 Full Size Pressure-Flo Hydrotherapy Jets
  - 2 StressEaz Neck & Shoulder Therapy Jets
  - 1 Recessed Rotary Massage Jet
- **Aquatic Quality Features:**
  - 1.5 HP Run-Dry Pump with 20-Minute Timer
  - Bath-Side On/Off Electronic Button
  - "Quiet Pad" Anti-Vibration Pump Mount for Quiet Pump Operation
  - 2 Acrylic Grab Bars
  - 2 Arm Rests
  - Slip Resistant Floor
  - Pre-leveled ABS Support Base (Whirlpool & Hot Soak)
  - Heat-bent Rigid PVC Piping for Optimum Sanitary Conditions
  - Durable, Easy to Clean, Lucite® Cast Acrylic Surface
  - Available in 8 Standard No-Charge Colors
- **UL & IAPMO Listed, Factory Tested**
- **Limited 10 Year Warranty**

**Fax-On-Demand Document # 1038**



**OPTIONAL EQUIPMENT:**

- Chromotherapy LED Lighting
- Comfort Pillow -- Oval or Rectangle
- Jet Finish
  - Chrome, Polished Brass, Gold, Polished Nickel or Satin Nickel
- Grab Bar
  - Chrome, Polished Brass, Gold, Polished Nickel or Satin Nickel
- 1.5 kW Inline Maintenance Heater
- HotSoak - Factory Installed Pump & Maintenance Heater (Tub Only)
- Lift & Turn Waste and Overflow
  - Chrome, Polished Brass, Gold, Polished Nickel or Satin Nickel
- Cable Drive Waste and Overflow
  - Chrome, Polished Brass, Gold, Polished Nickel, Satin Nickel or Color Matched (Bone, White & Biscuit Only)
- Hand Held Jet
- Factory Installed Rigid ABS Tile Flange
- Decorative Rim Kit -- Chrome or Polished Brass
- 2 HP, 3-Speed Run-Dry Pump Upgrade
- Pre-leveled ABS Support Base (Tub Only)
- Optional Pump Location
- Remote Pump Location
- Color Matched Acrylic Skirt
- Premium Colors

*All acrylic colors featured by Aquatic match the industry's leading fixture manufacturers.*

The manufacturer accepts a 1/4" variance. There are variations on each tub and specifications are subject to change as we improve upon our product as required. The dimensions needed for site preparation and structure building should be measured from the tub; Aquatic Industries, Inc. assumes no responsibility for preparatory work.