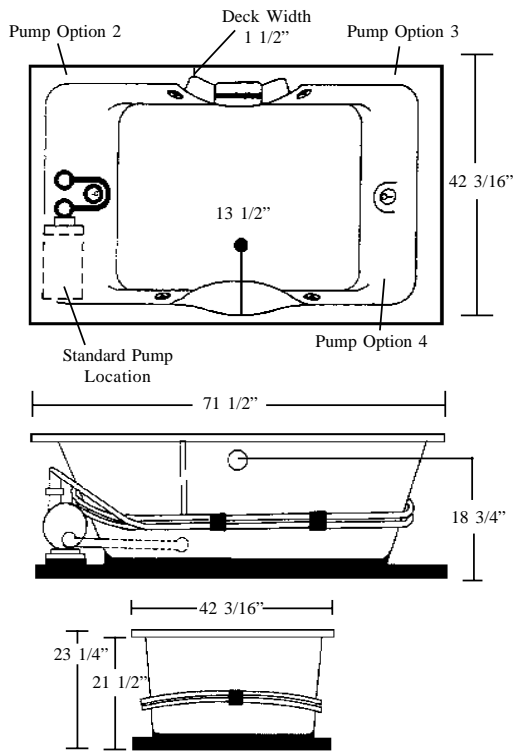


## LUXURY SERIES MODEL # AI7242R / AI7242RTO (Tub Only)

**NEXT DAY SHIP MODEL / WHIRLPOOL ONLY**

• Next Day Ship Model equipped with heater; upcharge applies.

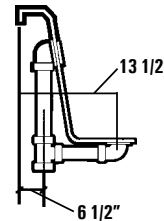


Two Person Bath



**ALSO AVAILABLE AS TUB ONLY**  
CAN BE USED IN AN UNDERMOUNT APPLICATION

**Rough-In Plumbing Measurements**



**EQUIPMENT LEGEND**

- Drain
- Standard Pump Location
- StressEaz Neck and Shoulder Therapy System II
- Rotary Massage Jet
- Full Size Pressure-Flo Hydrotherapy Jet

Note: Tub Only units do not come standard with the Pre-leveled ABS Support Base except for those ordered with the HotSoak option.

### SPECIFICATIONS:

**General Specifications:**

Tub Size	71 1/2" x 42 3/16" x 23 1/4" 182 cm x 107 cm x 59 cm
Bathing Well	43" long 24" wide 22" interior depth
Shipping Weight	247 lbs. / 112 kg
Tub Weight Filled	877 lbs. / 398 kg
Tub Only Weight	154 lbs. / 70 kg
Gallons to Overflow	90 gal. / 341 L
Gallons to Operate	1 bather: 71 gal. / 269 L 2 bathers: 52 gal. / 197 L

**Electrical Specifications:**

Pump Requirement	1.75 HP; 12 AMP; 110V 15 AMP; 110V, separate circuit required protected w/ Class A GFCI
Optional Heater Requirement	1.5 kW; 12.5 AMP; 110V 15 AMP; 110V, separate circuit required protected w/ Class A GFCI

**Tub Only with Hot Soak Electrical Specifications:**

Pump	1/15 HP; 1.3 AMP; 110V
Optional Heater Requirements	1.5 kW; 12.5 AMP; 110V 20 AMP; 110V, separate circuit required protected w/ Class A GFCI

**STANDARD EQUIPMENT:**

- **8 Hydrotherapy Jets including:**  
4 Full Size Pressure-Flo Hydrotherapy Jets  
2 Recessed Rotary Massage Jets  
2 StressEaz Neck & Shoulder Therapy Jets
- **Aquatic Quality Features:**  
1.5 HP Run-Dry Pump with 20-Minute Timer  
Bath-Side On/Off Electronic Button  
"Quiet Pad" Anti-Vibration Pump Mount for Quiet Pump Operation  
Acrylic Grab Bar  
4 Arm Rests  
Slip Resistant Floor  
Pre-leveled ABS Support Base (Whirlpool & Hot Soak)  
Heat-bent Rigid PVC Piping for Optimum Sanitary Conditions  
Durable, Easy to Clean, Lucite® Cast Acrylic Surface  
Available in 8 Standard No-Charge Colors
- **UL & IAPMO Listed, Factory Tested**
- **Limited 10 Year Warranty**

**Fax-On-Demand Document # 1036**



**OPTIONAL EQUIPMENT:**

- Chromatherapy LED Lighting
- Comfort Pillow -- Oval or Rectangle
- Jet Finish  
-- Chrome, Polished Brass, Gold, Polished Nickel or Satin Nickel
- Grab Bar  
-- Chrome, Polished Brass, Gold, Polished Nickel or Satin Nickel
- 1.5 kW Inline Maintenance Heater
- HotSoak - Factory Installed Pump & Maintenance Heater (Tub Only)
- Lift & Turn Waste and Overflow  
-- Chrome, Polished Brass, Gold, Polished Nickel or Satin Nickel
- Cable Drive Waste and Overflow  
-- Chrome, Polished Brass, Gold, Polished Nickel, Satin Nickel or Color Matched (Bone, White & Biscuit Only)
- Hand Held Jet
- Factory Installed Rigid ABS Tile Flange
- Decorative Rim Kit -- Chrome or Polished Brass
- 2 HP, 3-Speed Run-Dry Pump Upgrade
- Pre-leveled ABS Support Base (Tub Only)
- Optional Pump Location
- Remote Pump Location
- Color Matched Acrylic Skirt
- Premium Colors

*All acrylic colors featured by Aquatic match the industry's leading fixture manufacturers.*

The manufacturer accepts a 1/4" variance. There are variations on each tub and specifications are subject to change as we improve upon our product as required. The dimensions needed for site preparation and structure building should be measured from the tub; Aquatic Industries, Inc. assumes no responsibility for preparatory work.