

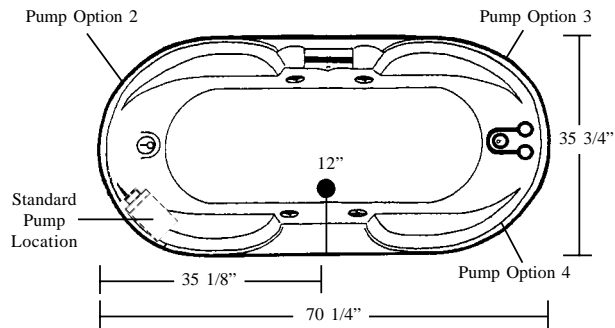
AQUATIC

CASTAWAY OVAL

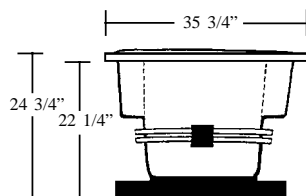
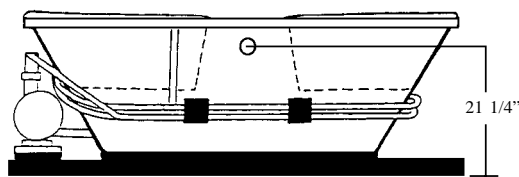
LUXURY SERIES MODEL # A17236CLO

NEXT DAY SHIP MODEL

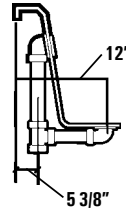
• Next Day Ship Model equipped with heater; upcharge applies.



Two Person Bath



Rough-In Plumbing Measurements



EQUIPMENT LEGEND

- Drain
- Standard Pump Location
- StressEaz Neck and Shoulder Therapy System II
- Rotary Massage Jet
- Full Size Pressure-Flo Hydrotherapy Jet

SPECIFICATIONS:

General Specifications:

Tub Size	70 1/4" x 35 3/4" x 24 3/4"
	178 cm x 91 cm x 63 cm
Bathing Well	45 3/4" long
	19" wide
	22 3/4" interior depth
Shipping Weight	201 lbs. / 91 kg
Tub Weight Filled	828 lbs. / 376 kg
Gallons to Overflow	80 gal. / 303 L
Gallons to Operate	1 bather: 61 gal. / 231 L
	2 bathers: 42 gal. / 159 L

Electrical Specifications:

Pump	1.75 HP; 12 AMP; 110V
Requirement	15 AMP; 110V, separate circuit required protected w/ Class A GFCI
Optional Heater	1.5 kW; 12.5 AMP; 110V
Requirement	15 AMP; 110V, separate circuit required protected w/ Class A GFCI

STANDARD EQUIPMENT:

- **8 Hydrotherapy Jets including:**
 - 4 Full Size Pressure-Flo Hydrotherapy Jets
 - 2 Recessed Rotary Massage Jets
 - 2 StressEaz Neck & Shoulder Therapy Jets
- **Aquatic Quality Features:**
 - 1.5 HP Run-Dry Pump with 20-Minute Timer
 - Bath-Side On/Off Electronic Button
 - "Quiet Pad" Anti-Vibration Pump Mount for Quiet Pump Operation
 - Acrylic Grab Bar
 - 4 Arm Rests
 - Slip Resistant Floor
 - Pre-leveled ABS Support Base
 - Heat-bent Rigid PVC Piping for Optimum Sanitary Conditions
 - Durable, Easy to Clean, Lucite® Cast Acrylic Surface
 - Available in 8 Standard No-Charge Colors
- **UL & IAPMO Listed, Factory Tested**
- **Limited 10 Year Warranty**

OPTIONAL EQUIPMENT:

- Chromotherapy LED Lighting
- Comfort Pillow -- Oval or Rectangle
- Jet Finish
 - Chrome, Polished Brass, Gold, Polished Nickel or Satin Nickel
- Grab Bar
 - Chrome, Polished Brass, Gold, Polished Nickel or Satin Nickel
- 1.5 kW Inline Maintenance Heater
- Lift & Turn Waste and Overflow
 - Chrome, Polished Brass, Gold, Polished Nickel or Satin Nickel
- Cable Drive Waste and Overflow
 - Chrome, Polished Brass, Gold, Polished Nickel, Satin Nickel or Color Matched (Bone, White & Biscuit Only)
- Hand Held Jet
- Decorative Rim Kit -- Chrome or Polished Brass
- 2 HP, 3-Speed Run-Dry Pump Upgrade
- Optional Pump Location
- Remote Pump Location
- Premium Colors

All acrylic colors featured by Aquatic match the industry's leading fixture manufacturers.

Fax-On-Demand Document # 1034



The manufacturer accepts a 1/4" variance. There are variations on each tub and specifications are subject to change as we improve upon our product as required. The dimensions needed for site preparation and structure building should be measured from the tub; Aquatic Industries, Inc. assumes no responsibility for preparatory work.