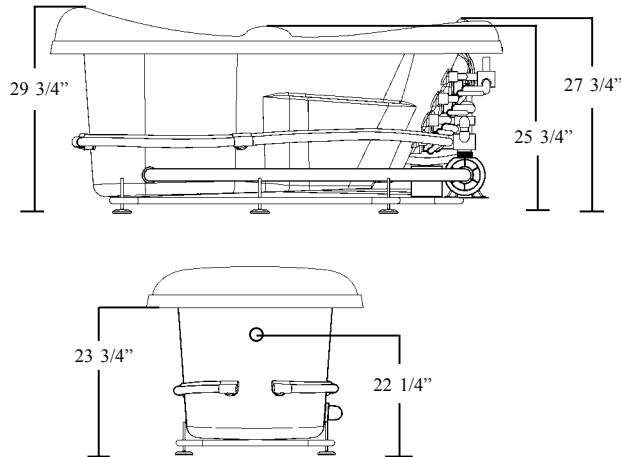
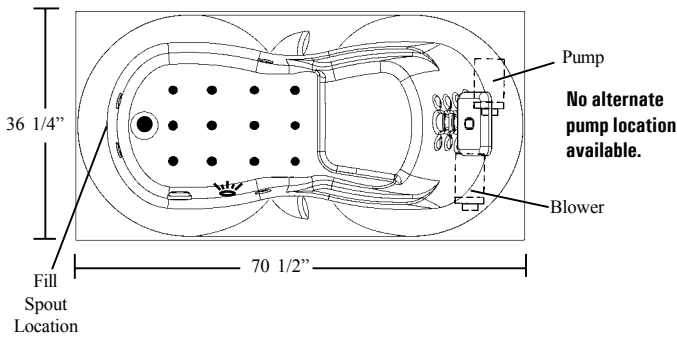


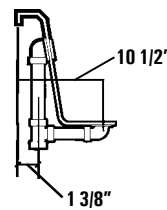
INFINITY III

AQUATIC

INFINITY SERIES MODEL # AI3INF7236



Rough-In Plumbing Measurements



EQUIPMENT LEGEND

- Drain
- Pump / Blower Location
- Neck Jet Pillow
- Air Bath System
- Chromotherapy Lighting
- Full Size Pressure-Flo Hydrotherapy Jet
- Rotary Massage Elite Jet
- Shiatsu Back Jetting System

SPECIFICATIONS:

General Specifications:

Tub Size	70 1/2" x 36 1/4" x 29 3/4" 182 cm x 92 cm x 76 cm
Bathing Well	45" long 24" wide 23 1/2" interior depth
Shipping Weight	374 lbs. / 170 kg
Tub Weight Filled	972 lbs. / 441 kg
Gallons to Overflow	102 gal. / 386 L
Gallons to Operate	69 gal. / 261 L

Electrical Specifications:

Pump	2 HP; 12 AMP; 110V
Inline Heater	1.5 kW; 12.5 AMP; 110V
Requirement	1-15 AMP 2 pole, separate circuit required protected with Class A GFCI
Blower	1 HP; 10.5 AMP; 110V
Requirement	1-15 AMP 1 pole, separate circuit required protected with Class A GFCI

This whirlpool will need to be hard wired to the breaker box. Three outlets will be supplied on the whirlpool.

*** This unit is not recommended for shower installations.**

This unit has a 3/4" female waterfall fill spout connection.

STANDARD EQUIPMENT:

- **16 Hydrotherapy Jets including:**
 - 12 Shiatsu Back Jets
 - 2 Rotary Massage Foot Jets
 - 2 Full Size Pressure-Flo Hydrotherapy Jets
- **Air Bath System:**
 - 1 HP Variable Speed Air Blower with 20-Minute Timer
 - Electronic Control Panel
 - Automatic Purge and Dry Cycle
 - 600 Watt Air Heating System
- **Aquatic Quality Features:**
 - 2 HP Run-Dry Pump
 - 1.5 kW Inline Maintenance Heater
 - "Quiet Pad" Anti-Vibration Pump Mount for Quiet Pump Operation
 - Shiatsu Electronic Control Panel with Preprogrammed Jet Sequencer
 - Bath-Side Electronic Control Panel with Temperature Display
 - Pulsating Neck Jet Pillow
 - 2 Integrally Molded Safety Grasps
 - Reclining Lounge Seat and 2 Arm Rests
 - Integrally Molded Fast-Fill Waterfall Spout (valves not included)
 - Chromotherapy LED Lighting
 - Slip Resistant Floor
 - Adjusta-Level Base
 - Heat-bent Rigid PVC Piping for Optimum Sanitary Conditions
 - Durable, Easy to Clean, Lucite® Cast Acrylic Surface
 - Available in 8 Standard No-Charge Colors
- **UL & IAPMO Listed, Factory Tested**
- **Limited 15 Year Warranty**

OPTIONAL EQUIPMENT:

- Comfort Pillow -- Oval or Rectangle
- Jet Finish
 - Chrome, Polished Brass, Gold, Polished Nickel or Satin Nickel
- Control Panel Trim
 - White, Chrome, Polished Brass, Satin Nickel, Polished Nickel, Oil Rubbed Bronze or Clear
- Lift & Turn Waste and Overflow
 - Chrome, Polished Brass, Gold, Polished Nickel or Satin Nickel
- Cable Drive Waste and Overflow
 - Chrome, Polished Brass, Gold, Polished Nickel, Satin Nickel or Color Matched (Bone, White & Biscuit Only)
- Hand Held Jet
- Decorative Rim Kit -- Chrome or Polished Brass
- Premium Colors

All acrylic colors featured by Aquatic match the industry's leading fixture manufacturers.

Fax-On-Demand Document # 1117



The manufacturer accepts a 1/4" variance. There are variations on each tub and specifications are subject to change as we improve upon our product as required. The dimensions needed for site preparation and structure building should be measured from the tub; Aquatic Industries, Inc. assumes no responsibility for preparatory work.