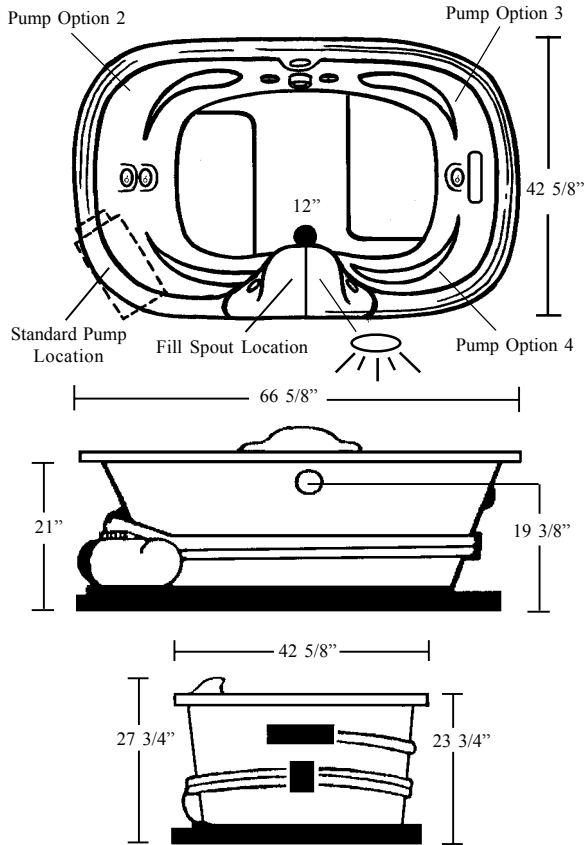


CENTURY 43

AQUATIC

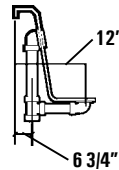
CENTURY SERIES MODEL # AI6644RC43



Two Person Bath



Rough-In Plumbing Measurements



EQUIPMENT LEGEND

- Drain
- Standard Pump Location
- Fan Jet
- Rotary Massage Jet
- Full Size Pressure-Flo Hydrotherapy Jet
- Chromatherapy Lighting

SPECIFICATIONS:

General specifications:

Tub Size	66 5/8" x 42 5/8" x 27 3/4"
	169 cm x 108 cm x 70 cm
Bathing Well	43" long
	28" wide
	22 1/2" interior depth
Shipping Weight	245 lbs. / 111 kg
Tub Weight Filled	944 lbs. / 428 kg
Gallons to Overflow	97 gal. / 367 L
Gallons to Operate	1 bather: 78 gal. / 295 L
	2 bathers: 59 gal. / 223 L

Electrical Specifications:

Pump	2 HP; 11 AMP; 110V
Requirement	15 AMP; 110V, separate circuit required protected w/ Class A GFCI
Inline Heater	1.5 kW; 12 AMP; 110V
Requirement	15 AMP; 110V, separate circuit required protected w/ Class A GFCI

** This unit is not recommended for shower installations.*

This unit has a 3/4" male waterfall fill spout connection.

STANDARD EQUIPMENT:

- **8 Hydrotherapy Jets including:**
 - 4 Full Size Pressure-Flo Hydrotherapy Jets
 - 3 Recessed Rotary Massage Jets
 - 1 Recessed Fan Jet
- **Aquatic Quality Features:**
 - 2 HP, 3-Speed Run-Dry Pump
 - 1.5 kW Inline Maintenance Heater
 - Bath-Side Electronic Control Panel
 - Integrally Molded Fast-Fill Waterfall Spout (valves not included)
 - Chromatherapy LED Lighting
 - "Quiet Pad" Anti-Vibration Pump Mount for Quiet Pump Operation
 - 2 Extra Deep & Wide Contoured Lounge Seats
 - 4 Arm Rests
 - Slip Resistant Floor
 - Pre-leveled ABS Support Base
 - Heat-bent Rigid PVC Piping for Optimum Sanitary Conditions
 - Durable, Easy to Clean, Lucite® Cast Acrylic Surface
 - Available in 8 Standard No-Charge Colors
- **UL & IAPMO Listed, Factory Tested**
- **Limited 15 Year Warranty**

OPTIONAL EQUIPMENT:

- Available without Fast-Fill Waterfall Spout*
-- See Price List for Details
- Comfort Pillow -- Oval or Rectangle
- Jet Finish
 - Chrome, Polished Brass, Gold, Polished Nickel or Satin Nickel
- Control Panel Trim
 - White, Chrome, Polished Brass, Satin Nickel, Polished Nickel, Oil Rubbed Bronze or Clear
- Lift & Turn Waste and Overflow
 - Chrome, Polished Brass, Gold, Polished Nickel or Satin Nickel
- Cable Drive Waste and Overflow
 - Chrome, Polished Brass, Gold, Polished Nickel, Satin Nickel or Color Matched (Bone, White & Biscuit Only)
- Hand Held Jet
- Decorative Rim Kit -- Chrome or Polished Brass
- Optional Pump Location
- Remote Pump Location
- Premium Colors

All acrylic colors featured by Aquatic match the industry's leading fixture manufacturers.

**Electronic Control Panels are not installed on units with Fast-Fill Waterfall Spouts removed.*

Fax-On-Demand Document # 1027

TOLL-FREE, 24-HOUR

1-877-618-7074
 FAX INFO

The manufacturer accepts a 1/4" variance. There are variations on each tub and specifications are subject to change as we improve upon our product as required. The dimensions needed for site preparation and structure building should be measured from the tub; Aquatic Industries, Inc. assumes no responsibility for preparatory work.