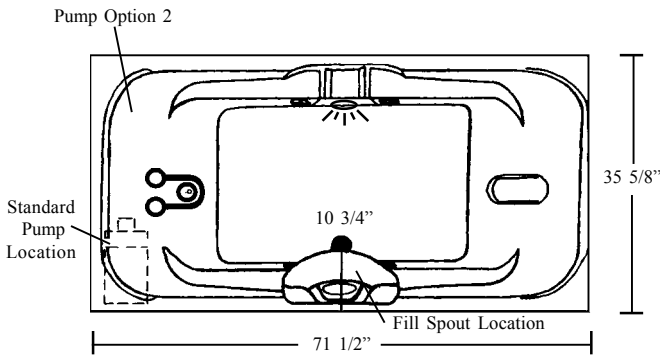


CENTURY 37

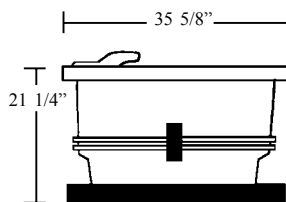
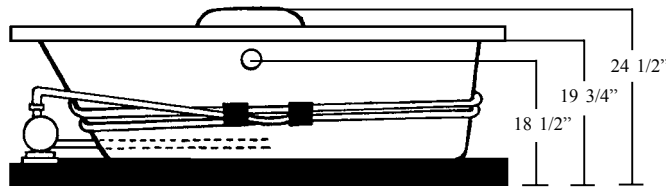
AQUATIC

CENTURY SERIES MODEL # AI7236RC37

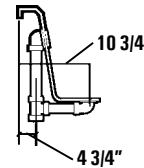
NEXT DAY SHIP MODEL



Two Person Bath



Rough-In Plumbing Measurements



EQUIPMENT LEGEND

- Drain
- Standard Pump Location
- Fan Jet
- StressEaz Neck and Shoulder Therapy System II
- Rotary Massage Jet
- Full Size Pressure-Flo Hydrotherapy Jet
- Chromatherapy Lighting

SPECIFICATIONS:

General Specifications:

Tub Size	71 1/2" x 35 5/8" x 24 1/2" 182 cm x 90 cm x 62 cm
Bathing Well	43" long 19" wide 20 1/2" interior depth
Shipping Weight	234 lbs. / 106 kg
Tub Weight Filled	820 lbs. / 372 kg
Gallons to Overflow	84 gal. / 318 L
Gallons to Operate	1 bather: 65 gal. / 246 L 2 bathers: 46 gal. / 174 L

Electrical Specifications:

Pump	2 HP; 11 AMP; 110V
Requirement	15 AMP; 110V, separate circuit required protected w/ Class A GFCI
Inline Heater	1.5 kW; 12 AMP; 110V
Requirement	15 AMP; 110V, separate circuit required protected w/ Class A GFCI

**This unit is not recommended for shower installations.*

This unit has a 3/4" male waterfall fill spout connection.

STANDARD EQUIPMENT:

- **8 Hydrotherapy Jets including:**
4 Full Size Pressure-Flo Hydrotherapy Jets
2 StressEaz Neck & Shoulder Therapy Jets
1 Recessed Fan Jet
1 Recessed Rotary Massage Jet
- **Aquatic Quality Features:**
2 HP, 3-Speed Run-Dry Pump
Bath-Side Electronic Control Panel
Integrally Molded Fast-Fill Waterfall Spout (valves not included)
Chromatherapy LED Lighting
1.5 kW Inline Maintenance Heater
"Quiet Pad" Anti-Vibration Pump Mount for Quiet Pump Operation
Extra Deep Bathing Well
2 Integrally Molded Safety Grasps
4 Arm Rests
Slip Resistant Floor
Pre-leveled ABS Support Base
Heat-bent Rigid PVC Piping for Optimum Sanitary Conditions
Durable, Easy to Clean, Lucite® Cast Acrylic Surface
Available in 8 Standard No-Charge Colors
- **UL & IAPMO Listed, Factory Tested**
- **Limited 15 Year Warranty**

OPTIONAL EQUIPMENT:

- Available without Fast-Fill Waterfall Spout*
-- See Price List for Details
- Comfort Pillow -- Oval or Rectangle
- Jet Finish
-- Chrome, Polished Brass, Gold, Polished Nickel or Satin Nickel
- Control Panel Trim
-- White, Chrome, Polished Brass, Satin Nickel, Polished Nickel, Oil Rubbed Bronze or Clear
- Lift & Turn Waste and Overflow
-- Chrome, Polished Brass, Gold, Polished Nickel or Satin Nickel
- Cable Drive Waste and Overflow
-- Chrome, Polished Brass, Gold, Polished Nickel, Satin Nickel or Color Matched (Bone, White & Biscuit Only)
- Hand Held Jet
- Factory Installed Rigid ABS Tile Flange*
- Decorative Rim Kit -- Chrome or Polished Brass
- Optional Pump Location
- Remote Pump Location
- Color Matched Acrylic Skirt
- Premium Colors

All acrylic colors featured by Aquatic match the industry's leading fixture manufacturers.

**Electronic Control Panels are not installed on units with Fast-Fill Waterfall Spouts removed.*

Fax-On-Demand Document # 1021



The manufacturer accepts a 1/4" variance. There are variations on each tub and specifications are subject to change as we improve upon our product as required. The dimensions needed for site preparation and structure building should be measured from the tub; Aquatic Industries, Inc. assumes no responsibility for preparatory work.