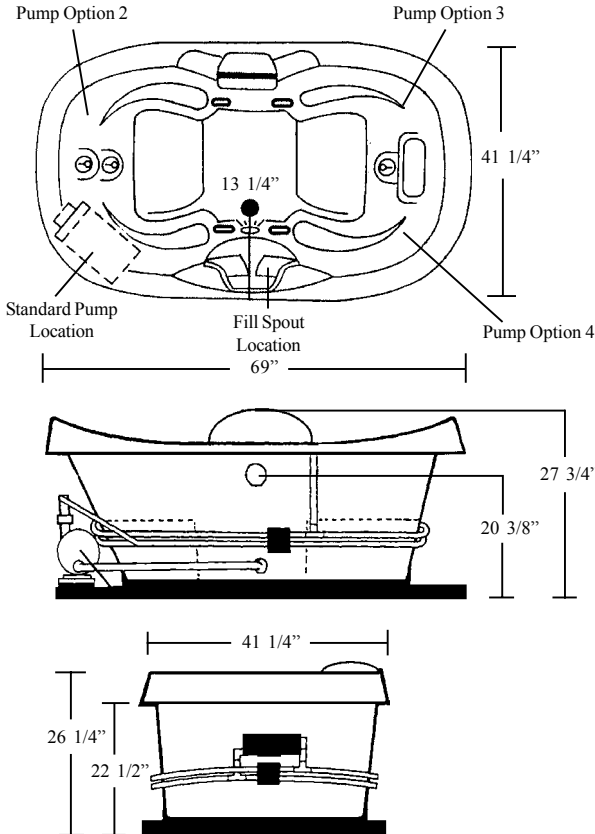


CENTURY 24

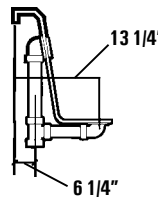
AQUATIC

CENTURY SERIES MODEL # AI7242RC24

NEXT DAY SHIP MODEL



Rough-In Plumbing Measurements



EQUIPMENT LEGEND

- Drain
- Standard Pump Location
- Fan Jet
- Rotary Massage Jet
- Full Size Pressure-Flo Hydrotherapy Jet
- Chromotherapy Lighting

SPECIFICATIONS:

General Specifications:

Tub Size	69" x 41 1/4" x 27 3/4" 175 cm x 105 cm x 70 cm
Bathing Well	43" long 25" wide 23 3/4" interior depth
Shipping Weight	257 lbs. / 116 kg
Tub Weight Filled	987 lbs. / 448 kg
Gallons to Overflow	98 gal. / 371 L
Gallons to Operate	1 bather: 79 gal. / 299 L 2 bathers: 60 gal. / 227 L

Electrical Specifications:

Pump Requirement	2 HP; 11 AMP; 110V 15 AMP; 110V, separate circuit required protected w/ Class A GFCI
Inline Heater Requirement	1.5 kW; 12 AMP; 110V 15 AMP; 110V, separate circuit required protected w/ Class A GFCI

This unit has a 3/4" female waterfall fill spout connection.
*This unit is not recommended for shower installations.

STANDARD EQUIPMENT:

- **8 Hydrotherapy Jets including:**
 - 4 Full Size Pressure-Flo Hydrotherapy Jets
 - 3 Recessed Rotary Massage Jets
 - 1 Recessed Fan Jet
- **Aquatic Quality Features:**
 - 2 HP, 3-Speed Run-Dry Pump
 - Bath-Side Electronic Control Panel
 - Integrally Molded Fast-Fill Waterfall Spout (valves not included)
 - Chromotherapy LED Lighting
 - 1.5 kW Inline Maintenance Heater
 - "Quiet Pad" Anti-Vibration Pump Mount for Quiet Pump Operation
 - 2 Extra Deep & Wide Contoured Lounge Seats
 - Acrylic Grab Bar
 - 4 Arm Rests
 - Slip Resistant Floor
 - Pre-leveled ABS Support Base
 - Heat-bent Rigid PVC Piping for Optimum Sanitary Conditions
 - Durable, Easy to Clean, Lucite® Cast Acrylic Surface
 - Available in 8 Standard No-Charge Colors
- **UL & IAPMO Listed, Factory Tested**
- **Limited 15 Year Warranty**

OPTIONAL EQUIPMENT:

- Available without Fast-Fill Waterfall Spout*
-- See Price List for Details
- Comfort Pillow -- Oval or Rectangle
- Jet Finish
- Chrome, Polished Brass, Gold, Polished Nickel or Satin Nickel
- Control Panel Trim
-- White, Chrome, Polished Brass, Satin Nickel, Polished Nickel, Oil Rubbed Bronze or Clear
- Grab Bar
-- Chrome, Polished Brass, Gold, Polished Nickel or Satin Nickel
- Lift & Turn Waste and Overflow
-- Chrome, Polished Brass, Gold, Polished Nickel or Satin Nickel
- Cable Drive Waste and Overflow
-- Chrome, Polished Brass, Gold, Polished Nickel, Satin Nickel or Color Matched (Bone, White & Biscuit Only)
- Hand Held Jet
- Decorative Rim Kit -- Chrome or Polished Brass
- Optional Pump Location
- Remote Pump Location
- Premium Colors

All acrylic colors featured by Aquatic match the industry's leading fixture manufacturers.

*Electronic Control Panels are not installed on units with Fast-Fill Waterfall Spouts removed.

Fax-On-Demand Document # 1009



The manufacturer accepts a 1/4" variance. There are variations on each tub and specifications are subject to change as we improve upon our product as required. The dimensions needed for site preparation and structure building should be measured from the tub; Aquatic Industries, Inc. assumes no responsibility for preparatory work.