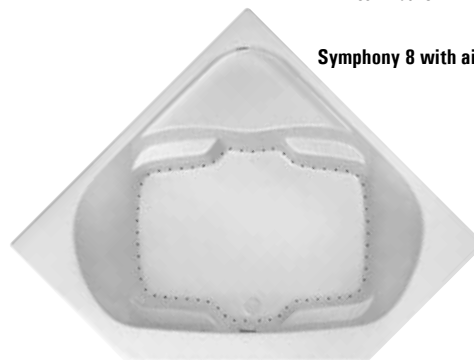
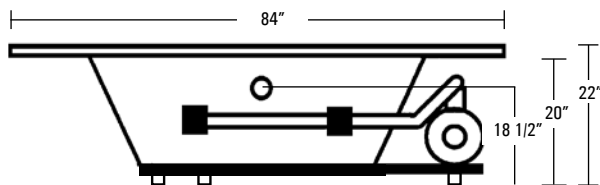
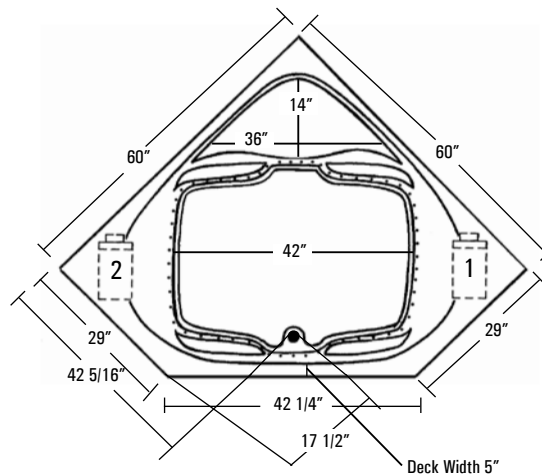
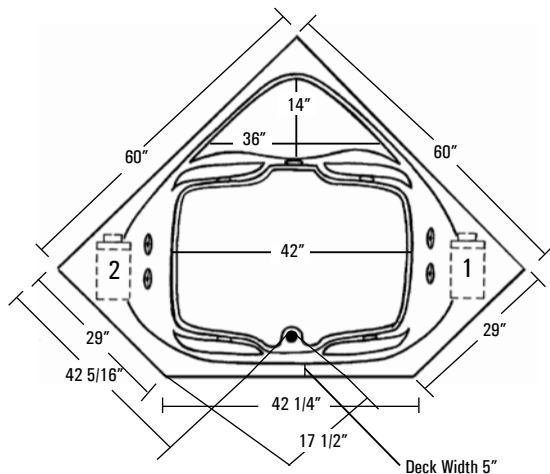


SYMPHONY 8

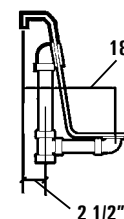
AQUATIC

SYMPHONY SERIES MODEL # AISM6060SY / AISM6060SYTO



Symphony 8 with air shown

Rough-In Plumbing Measurements



SPECIFICATIONS:

GENERAL SPECIFICATIONS:

Tub Size	60" x 60" x 22"
	152 cm x 152 cm x 56 cm
Bathing Well	42" long
	33" wide
	20" interior depth
Maximum Water Depth	15"
Shipping Weight	234 lbs. / 106 kg
Tub Weight Filled	923 lbs. / 419 kg
Tub Only Weight	173 lbs. / 78 kg
Gallons to Overflow	90 gal. / 341 L
Gallons to Operate	1 bather: 65 gal. / 246 L
	2 bathers: 50 gal. / 189

ELECTRICAL SPECIFICATIONS:

Whirlpool Pump Requirement	.80 HP; 5.6 AMP; 115V 15 AMP; 120V, separate circuit required protected w/ Class A GFCI
Optional Heater Requirement	1.5KW, 12.5 AMP, 110V 15 AMP; 120 V, separate circuit required protected with Class A GFCI
Air Bath Blower/Heater Requirement	.80 HP, 5 AMP, 120V 15 AMP; 120V, separate circuit required protected w/ Class A GFCI

STANDARD EQUIPMENT:

Whirlpool Bath:

- .80 HP Run-Dry Pump
- 4 Spinning Back Jets
- 4 Directional Jets

Air Bath:

- .80 HP Blower
- 300 Watt Air Heating System
- Automatic Purge and Dry Cycle
- Air Channels Lined with Antimicrobial Coatings

Aquatic Quality Features (Air Bath and Whirlpool Bath):

- Bath-Side On/Off Air Button
- Corner Seat
- "Quiet Pad" Anti-Vibration Pump Mount for Quiet Pump Operation
- Heat-bent Rigid PVC Piping for Optimum Sanitary Conditions
- 4 Arm Rests
- Color Matched Trim and Jets (Select Colors)
- Durable, Easy to Clean, Lucite® Cast Acrylic Surface
- Available in 8 Standard No-Charge Colors

UL and IAPMO Listed, Factory Tested Limited 10 Year Warranty

OPTIONAL EQUIPMENT:

- Comfort Pillow--Oval or Rectangle
- Bolt-On Grab Bars
- White, Biscuit, Chrome, Polished Brass, Gold, Polished Nickel, Satin Nickel or Oil Rubbed Bronze
- 1.5 kW Inline Maintenance Heater (Pump Options 1, 2)
- Lift & Turn Waste and Overflow
- Chrome, Polished Brass, Gold, Satin Nickel, Polished Nickel or Oil Rubbed Bronze
- Cable Drive Waste and Overflow
- Chrome, Polished Brass, Gold, Satin Nickel, Polished Nickel, Oil Rubbed Bronze or Color Matched (Bone, White and Biscuit Only)
- 2-T Integral Tile Flange
- Optional Pump or Blower Location

All acrylic colors featured by Aquatic match the industry's leading fixture manufacturers.

Fax-On-Demand Document # 1276



Each Symphony Air Bath model is equipped with a 300 watt air heating system to raise the temperature of the air going into the bath. This air temperature will be less than the bathing temperature of the water, but will help to reduce a rapid decrease in water temperature. In addition, the air coming from the air jets will feel cool against the skin, just as a breeze on a warm day cools your body. This system does not heat the water.

The manufacturer accepts a 1/4" variance. There are variations on each tub and specifications are subject to change as we improve upon our product as required. The dimensions needed for site preparation and structure building should be measured from the tub; Aquatic Industries, Inc. assumes no responsibility for preparatory work. www.aquaticwhirlpools.com 800.555.5324