

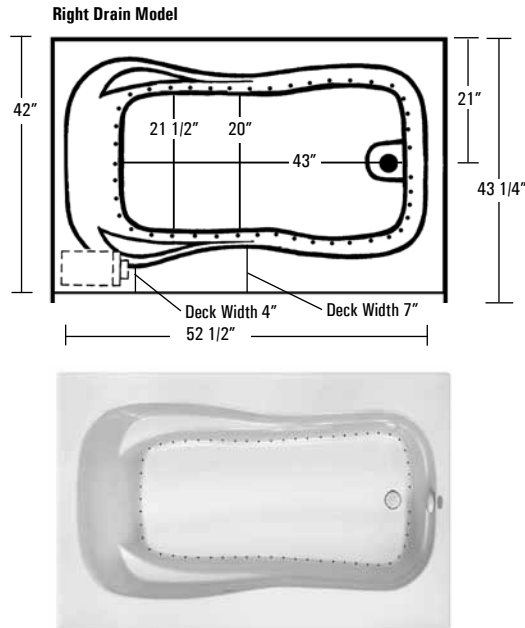
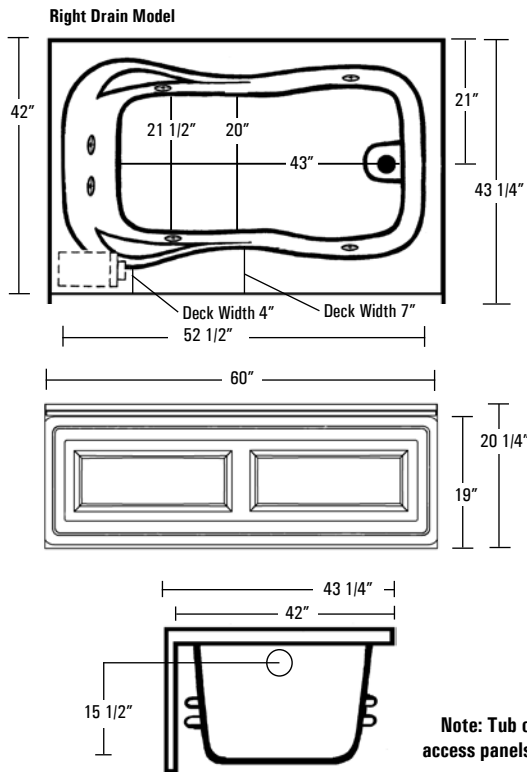
# SYMPHONY 12

AQUATIC

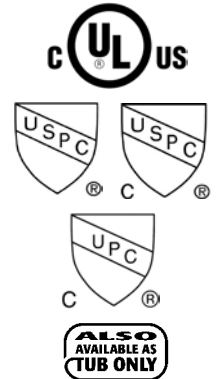
## SYMPHONY SERIES MODEL # -- SEE BELOW

AIIS6042LSY / AIIS6042LSYAIR / AIIS6042LSYTO (LEFT DRAIN)

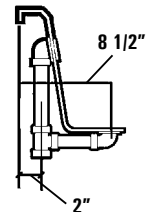
AIIS6042RSY / AIIS6042RSYAIR / AIIS6042RSYTO (RIGHT DRAIN)



Symphony 12 with air shown



**Rough-In Plumbing Measurements**



Note: Tub only model does not include access panels unless ordered as an option.

## SPECIFICATIONS:

### GENERAL SPECIFICATIONS:

Tub Size	60" x 42" x 20 1/4"
	152 cm x 107 cm x 51 cm
Bathing Well	43" long
	21 1/2" wide
	17" interior depth
Maximum Water Depth	12 1/2"
Shipping Weight	172 lbs. / 78 kg
Tub Weight Filled	728 lbs. / 330 kg
Tub Only Weight	128 lbs. / 58 kg
Gallons to Overflow	72 gal. / 273 L
Gallons to Operate	51 gal. / 193 L

### ELECTRICAL SPECIFICATIONS:

Whirlpool Pump Requirement	.80 HP; 5.6 AMP; 115V 15 AMP; 120V, separate circuit required protected w/ Class A GFCI
Air Bath Blower/Heater Requirement	.80 HP, 5 AMP, 120V 15 AMP; 120V, separate circuit required protected w/ Class A GFCI

### STANDARD EQUIPMENT:

**Whirlpool Bath:**

- .80 HP Run-Dry Pump
- 2 Spinning Back Jets
- 4 Directional Jets

**Air Bath:**

- .80 HP Blower
- 300 Watt Air Heating System
- Automatic Purge and Dry Cycle
- Air Channels Lined with Antimicrobial Coatings

**Aquatic Quality Features (Air Bath and Whirlpool Bath):**

- Bath-Side On/Off Air Button
- "Quiet Pad" Anti-Vibration Pump Mount for Quiet Pump Operation
- Heat-bent Rigid PVC Piping for Optimum Sanitary Conditions
- 2 Arm Rests
- Integrally Molded Tile Flange
- Color Matched Integral Skirt with Removable Access Panels
- Color Matched Trim and Jets (Select Colors)
- Right or Left Hand Drain
- Durable, Easy to Clean, Lucite® Cast Acrylic Surface
- Available in 8 Standard No-Charge Colors
- UL and IAPMO Listed, Factory Tested
- Limited 10 Year Warranty

### OPTIONAL EQUIPMENT:

- Comfort Pillow--Oval or Rectangle
- Bolt-On Grab Bars
  - White, Biscuit, Chrome, Polished Brass, Gold, Polished Nickel, Satin Nickel or Oil Rubbed Bronze
- Lift & Turn Waste and Overflow
  - Chrome, Polished Brass, Gold, Satin Nickel, Polished Nickel or Oil Rubbed Bronze
- Cable Drive Waste and Overflow
  - Chrome, Polished Brass, Gold, Satin Nickel, Polished Nickel, Oil Rubbed Bronze or Color Matched (Bone, White and Biscuit Only)
- Removable Access Panels (Tub Only)

All acrylic colors featured by Aquatic match the industry's leading fixture manufacturers.

**Fax-On-Demand Document # 1280**



Each Symphony Air Bath model is equipped with a 300 watt air heating system to raise the temperature of the air going into the bath. This air temperature will be less than the bathing temperature of the water, but will help to reduce a rapid decrease in water temperature. In addition, the air coming from the air jets will feel cool against the skin, just as a breeze on a warm day cools your body. This system does not heat the water.

The manufacturer accepts a 1/4" variance. There are variations on each tub and specifications are subject to change as we improve upon our product as required. The dimensions needed for site preparation and structure building should be measured from the tub; Aquatic Industries, Inc. assumes no responsibility for preparatory work. www.aquaticwhirlpools.com 800.555.5324