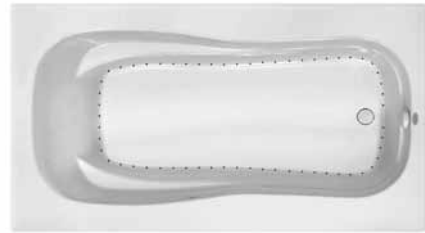
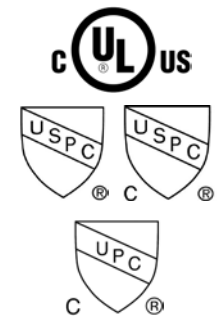
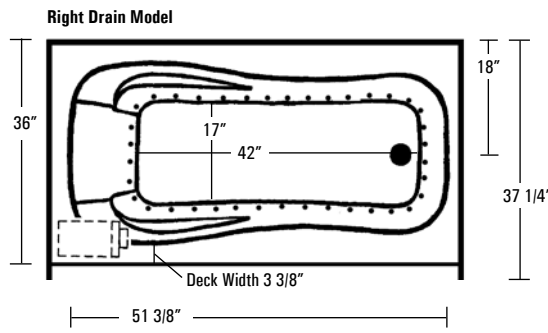
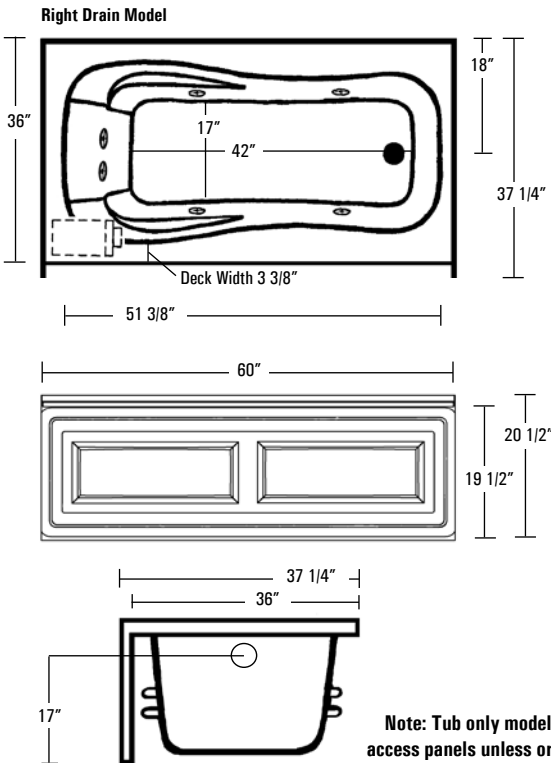
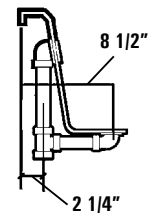


AIIS6036LSY / AIIS6036LSYAIR / AIIS6036LSYTO (LEFT DRAIN)  
 AIIS6036RSY / AIIS6036RSYAIR / AIIS6036RSYTO (RIGHT DRAIN)



Symphony 11 with air shown

**Rough-In Plumbing Measurements**



Note: Tub only model does not include access panels unless ordered as an option.

## SPECIFICATIONS:

**GENERAL SPECIFICATIONS:**

Tub Size	60" x 36" x 20 1/2"
	152 cm x 91 cm x 52 cm
Bathing Well	42" long
	17" wide
	17" interior depth
Maximum Water Depth	13 1/4"
Shipping Weight	170 lbs. / 77 kg
Tub Weight Filled	556 lbs. / 252 kg
Tub Only Weight	123 lbs. / 56 kg
Gallons to Overflow	52 gal. / 197 L
Gallons to Operate	43 gal. / 163 L

**ELECTRICAL SPECIFICATIONS:**

Whirlpool Pump Requirement	.80 HP; 5.6 AMP; 115V 15 AMP; 120V, separate circuit required protected w/ Class A GFCI
Air Bath Blower/Heater Requirement	.80 HP, 5 AMP, 120V 15 AMP; 120V, separate circuit required protected w/ Class A GFCI

**STANDARD EQUIPMENT:**

<p><b>Whirlpool Bath:</b></p> <ul style="list-style-type: none"> <li>- .80 HP Run-Dry Pump</li> <li>- 2 Spinning Back Jets</li> <li>- 4 Directional Jets</li> </ul>
<p><b>Air Bath:</b></p> <ul style="list-style-type: none"> <li>- .80 HP Blower</li> <li>- 300 Watt Air Heating System</li> <li>- Automatic Purge and Dry Cycle</li> <li>- Air Channels Lined with Antimicrobial Coatings</li> </ul>
<p><b>Aquatic Quality Features (Air Bath and Whirlpool Bath):</b></p> <ul style="list-style-type: none"> <li>- Bath-Side On/Off Air Switch</li> <li>- "Quiet Pad" Anti-Vibration Pump Mount for Quiet Pump Operation</li> <li>- Heat-bent Rigid PVC Piping for Optimum Sanitary Conditions</li> <li>- 2 Arm Rests</li> <li>- Color Matched Integral Skirt with Removable Access Panels</li> <li>- Integrally Molded Tile Flange</li> <li>- Color Matched Trim and Jets (Select Colors)</li> <li>- Right or Left Hand Drain</li> <li>- Durable, Easy to Clean, Lucite® Cast Acrylic Surface</li> <li>- Available in 8 Standard No-Charge Colors</li> </ul> <p><b>UL and IAPMO Listed, Factory Tested</b>  <b>Limited 10 Year Warranty</b></p>

- OPTIONAL EQUIPMENT:**
- Comfort Pillow--Oval or Rectangle
  - Bolt-On Grab Bars
    - White, Biscuit, Chrome, Polished Brass, Gold, Polished Nickel, Satin Nickel or Oil Rubbed Bronze
  - Lift & Turn Waste and Overflow
    - Chrome, Polished Brass, Gold, Satin Nickel, Polished Nickel or Oil Rubbed Bronze
  - Cable Drive Waste and Overflow
    - Chrome, Polished Brass, Gold, Satin Nickel, Polished Nickel, Oil Rubbed Bronze or Color Matched (Bone, White and Biscuit Only)
  - Removable Access Panels (Tub Only)

*All acrylic colors featured by Aquatic match the industry's leading fixture manufacturers.*

**Fax-On-Demand Document # 1279**



Each Symphony Air Bath model is equipped with a 300 watt air heating system to raise the temperature of the air going into the bath. This air temperature will be less than the bathing temperature of the water, but will help to reduce a rapid decrease in water temperature. In addition, the air coming from the air jets will feel cool against the skin, just as a breeze on a warm day cools your body. This system does not heat the water.

The manufacturer accepts a 1/4" variance. There are variations on each tub and specifications are subject to change as we improve upon our product as required. The dimensions needed for site preparation and structure building should be measured from the tub; Aquatic Industries, Inc. assumes no responsibility for preparatory work. [www.aquaticwhirlpools.com](http://www.aquaticwhirlpools.com) 800.555.5324