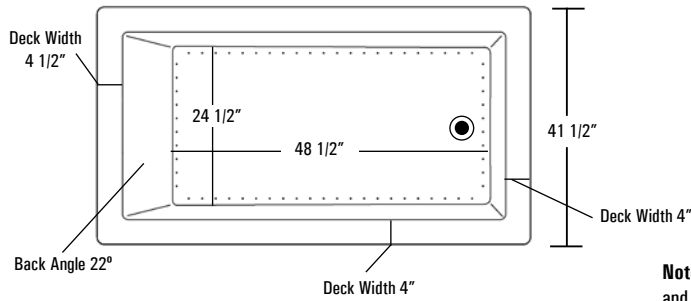


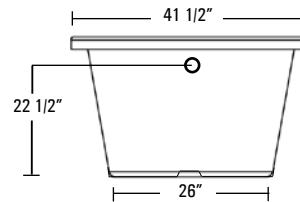
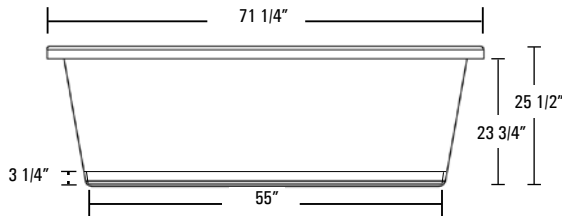
AQUATIC SERENITY STUDIO 23

SERENITY STUDIO MODEL # A123AIR7242F / A123AIR7242FTO (Tub Only)

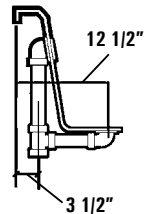


Note: The interior of bathing well and outside of bathing well can each be specified in a different color. Only one premium color upcharge will be applied if one or more premium colors are used.

Note: This model requires a remote blower location. The connection for the air blower is under the tub. Please refer to the Owner's Manual for detailed installation instructions. Document #1184 on our Fax-on-Demand System or on our website at www.aquaticwhirlpools.com.



Rough-In Plumbing Measurements



SPECIFICATIONS:

GENERAL SPECIFICATIONS:

Tub Size	71 1/4" x 41 1/2" x 25 1/2"
	181 cm x 105 cm x 65 cm
Bathing Well	48 1/2" long
	24 1/2" wide
	21 3/4" interior depth
Maximum Water Depth	17 3/4"
Shipping Weight	303 lbs. / 138 kg
Tub Weight Filled	1351 lbs. / 614 kg
Tub Weight Only	228 lbs. / 104 kg
Gallons to Overflow	113 gal. / 618 L

ELECTRICAL SPECIFICATIONS:

Blower/Heater Requirement	1 HP; 10.5 AMP; 120V 15 AMP; 120V, separate circuit required protected w/ Class A GFCI
---------------------------	---

STANDARD EQUIPMENT:

- Air Bath System:**
- 84 Air Jets
 - 1 HP Variable Speed Remote Air Blower with 20-Minute Timer
 - 600 Watt Air Heating System
 - Electronic Control Package with Wave and Pulse Features
 - Automatic Purge and Dry Cycle
 - Waterproof Remote Control with Infrared Sensor and 25' cord
- Aquatic Quality Features:**
- Slip Resistant Floor
 - Air Channels Lined with Antimicrobial Coating
 - Extra Deep Bathing Well
 - Durable, Easy to Clean, Lucite® Cast Acrylic Surface
 - Available in 8 Standard No-Charge Colors
- UL & IAPMO Listed, Factory Tested**
Limited Lifetime Warranty

OPTIONAL EQUIPMENT:

- Comfort Pillow - Oval or Rectangle
- Waste and Overflow for Freestanding Models
 - Chrome, Polished Brass, Satin Nickel, Polished Nickel, Oil Rubbed Bronze or White
- Premium Colors

All acrylic colors featured by Aquatic match the industry's leading fixture manufacturers.

Fax-On-Demand Document # 1003



Each Serenity Studio model is equipped with a 600 watt air heating system to raise the temperature of the air going into the bath. This air temperature will be less than the bathing temperature of the water, but will help to reduce a rapid decrease in water temperature. In addition, the air coming from the air jets will feel cool against the skin, just as a breeze on a warm day cools your body. This system does not heat the water.

The manufacturer accepts a 1/4" variance. There are variations on each tub and specifications are subject to change as we improve upon our product as required. The dimensions needed for site preparation and structure building should be measured from the tub; Aquatic Industries, Inc. assumes no responsibility for preparatory work. www.aquaticwhirlpools.com 800.555.5324