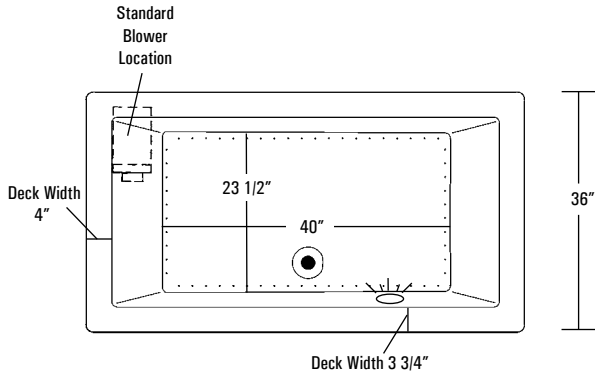


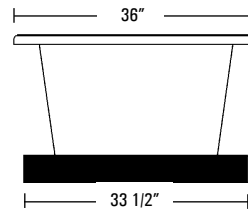
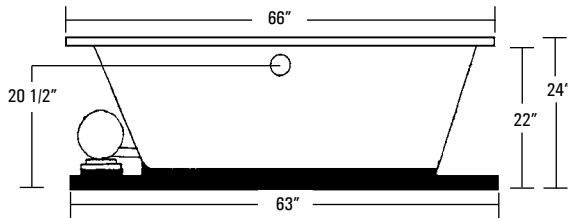
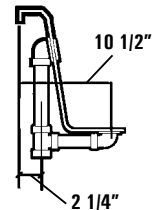
# SERENITY STUDIO 22 AQUATIC

**SERENITY STUDIO** MODEL # AI22AIR6636C / AI22AIR6636CTO (Tub Only)



CAN BE USED IN AN UNDERMOUNT APPLICATION

Rough-In Plumbing Measurements



## SPECIFICATIONS:

### GENERAL SPECIFICATIONS:

Tub Size	66" x 36" x 24"
	168 cm x 91 cm x 61 cm
Bathing Well	40" long
	23 1/2" wide
	21" interior depth
Shipping Weight	189 lbs. / 86 kg
Tub Weight Filled	844 lbs. / 384 kg
Tub Weight Only	123 lbs. / 56 kg
Gallons to Overflow	87 gal. / 329 L

### ELECTRICAL SPECIFICATIONS:

Blower/Heater Requirement	1 HP; 10.5 AMP; 120V 15 AMP; 120V, separate circuit required protected w/ Class A GFCI
---------------------------	---

### STANDARD EQUIPMENT:

- Air Bath System:**
- 67 Air Jets
  - 1 HP Variable Speed Air Blower with 20-Minute Timer
  - 600 Watt Air Heating System
  - Electronic Control Package with Wave and Pulse Features
  - Automatic Purge and Dry Cycle with Water Sensors
- Aquatic Quality Features:**
- Chromatherapy
  - Slip Resistant Floor
  - Air Channels Lined with Antimicrobial Coating
  - Pre-leveled ABS Support Base
  - Durable, Easy to Clean, Lucite® Cast Acrylic Surface
  - Available in 8 Standard No-Charge Colors
- UL & IAPMO Listed, Factory Tested Limited Lifetime Warranty**

### OPTIONAL EQUIPMENT:

- Comfort Pillow - Oval or Rectangle
- Bolt-On Grab Bars
  - White, Biscuit, Chrome, Polished Brass, Gold, Polished Nickel, Satin Nickel or Oil Rubbed Bronze
- Lift & Turn Waste and Overflow
  - Chrome, Polished Brass, Gold, Polished Nickel, Satin Nickel or Oil Rubbed Bronze
- Cable Drive Waste and Overflow
  - Chrome, Polished Brass, Gold, Polished Nickel, Satin Nickel, Oil Rubbed Bronze or Color Matched (Bone, White and Biscuit Only)
- Waterproof Remote Control with infrared sensor and 25' cord
- Remote Blower Wiring Kit
- Factory Installed Tile Flange
- Premium Colors

*All acrylic colors featured by Aquatic match the industry's leading fixture manufacturers.*

**Fax-On-Demand Document # 1002**



Each Serenity Studio model is equipped with a 600 watt air heating system to raise the temperature of the air going into the bath. This air temperature will be less than the bathing temperature of the water, but will help to reduce a rapid decrease in water temperature. In addition, the air coming from the air jets will feel cool against the skin, just as a breeze on a warm day cools your body. This system does not heat the water.

The manufacturer accepts a 1/4" variance. There are variations on each tub and specifications are subject to change as we improve upon our product as required. The dimensions needed for site preparation and structure building should be measured from the tub; Aquatic Industries, Inc. assumes no responsibility for preparatory work. [www.aquaticwhirlpools.com](http://www.aquaticwhirlpools.com) 800.555.5324