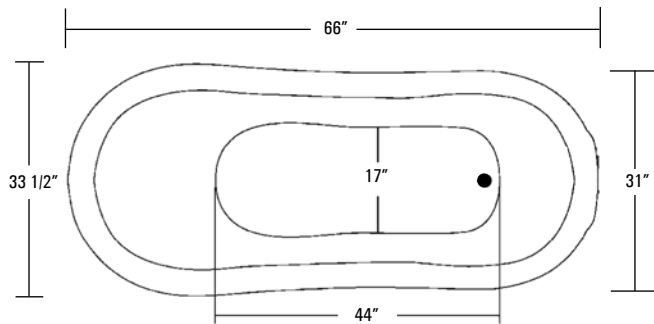
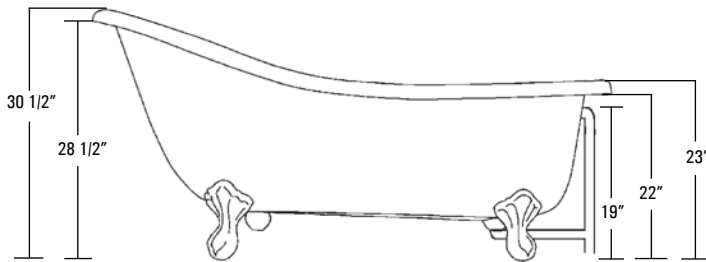


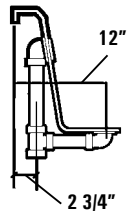
# RESTORATION 2

AQUATIC

RESTORATION SERIES MODEL # AIY6617TO



#### Rough-In Plumbing Measurements



## SPECIFICATIONS:

### GENERAL SPECIFICATIONS:

Tub Size	66" x 33 1/2" x 30 1/2" 168 cm x 79 cm x 78 cm
Bathing Well	44" long 17" wide 16 1/2" interior depth
Shipping Weight	194 lbs. / 88 kg
Tub Weight Filled	519 lbs. / 236 kg
Tub Only Weight	102 lbs. / 46 kg
Gallons to Overflow	50 gal. / 189 L

### STANDARD EQUIPMENT:

#### Aquatic Quality Features:

- Slip Resistant Floor
- Deep Bathing Well
- Claw Feet Available in Chrome, Polished Brass, Satin Nickel, Polished Nickel, Oil Rubbed Bronze and White
- Thick, Durable Acrylic Surface
- Available in White Only

**UL & IAPMO Listed**

**Limited Lifetime Warranty**

### OPTIONAL EQUIPMENT:

- Comfort Pillow - Oval or Rectangle (White, Biscuit or Black)
- Freestanding Waste and Overflow
  - Chrome, Polished Brass, Polished Nickel, Satin Nickel, Oil Rubbed Bronze or White

Fax-On-Demand  
Document #1262

