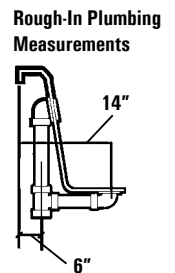
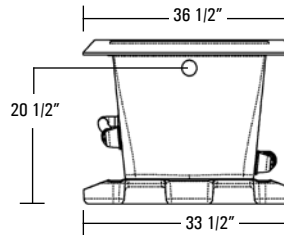
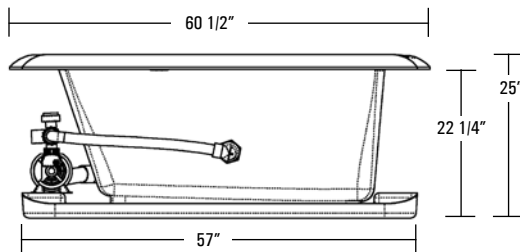
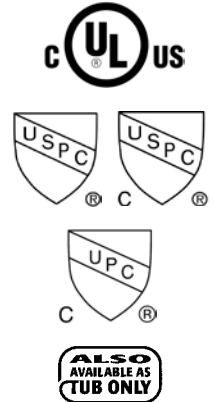
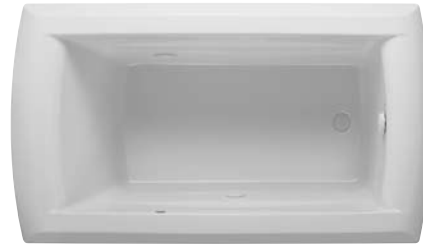
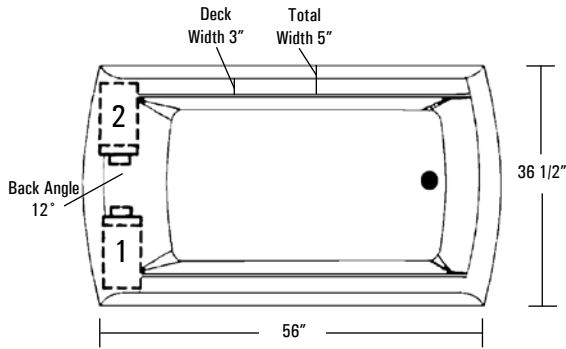


HOTSOAK 90 MOTIF AQUATIC

HOTSOAK SERIES MODEL # AI32AIR6036HS / AI31AIR6036TO (Tub Only)



SPECIFICATIONS:

GENERAL SPECIFICATIONS:

Tub Size	60 1/2" x 36 1/2" x 25"
	153.7 cm x 92.7 cm x 63.5 cm
Bathing Well	37.5" long
	19" wide
	22 3/4" interior depth
Maximum Water Depth	17 3/4"
Shipping Weight	172 lbs. / 78 kg
Tub Weight Filled	720 lbs. / 327 kg
Tub Only Weight	85 lbs. / 39 kg
Weight w/Equipment	106 lbs. / 48 kg
Gallons to Overflow	74 gal. / 281 L

ELECTRICAL SPECIFICATIONS:

Pump	1/15 HP; 1.3 AMP; 110V
Heater	1.5 kW; 12.5 AMP; 110V
Requirements	20 AMP; 110V, separate circuit required protected w/ Class A GFCI

STANDARD EQUIPMENT:

Aquatic Quality Features:

- 1.5 kW Inline Maintenance Heater
 - Run-Dry Pump with 20-Minute Timer
 - 2 Circulation Portal Covers
 - Bath-Side On/Off Electronic Button
 - "Quiet Pad" Anti-Vibration Pump Mount for Quiet Operation
 - Slip Resistant Floor
 - Extra Deep Bathing Well
 - Pre-leveled ABS Support Base
 - Heat-bent Rigid PVC Piping for Optimum Sanitary Conditions
 - Durable, Easy to Clean, Lucite® Cast Acrylic Surface
 - Available in 8 Standard No-Charge Colors
- UL & IAPMO Listed, Factory Tested**
Limited Lifetime Warranty

OPTIONAL EQUIPMENT:

- Comfort Pillow - Oval or Rectangle
- Bolt-On Grab Bar
 - White, Biscuit, Chrome, Polished Brass, Gold, Polished Nickel, Satin Nickel or Oil Rubbed Bronze
- Lift & Turn Waste and Overflow
 - Chrome, Polished Brass, Gold, Polished Nickel, Satin Nickel or Oil Rubbed Bronze
- Cable Drive Waste and Overflow
 - Chrome, Polished Brass, Gold, Polished Nickel, Satin Nickel, Oil Rubbed Bronze or Color Matched (Bone, White and Biscuit Only)
- Optional Pump Location
- Premium Colors

All acrylic colors featured by Aquatic match the industry's leading fixture manufacturers.

This unit is not recommended for shower installations.

**Fax-On-Demand
Document #1307**

