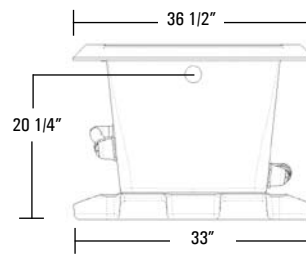
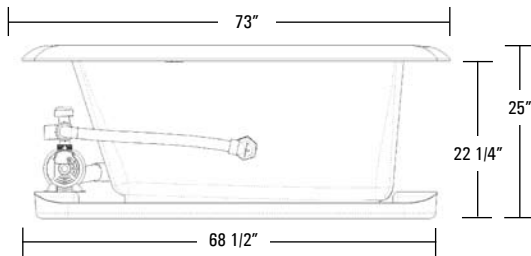
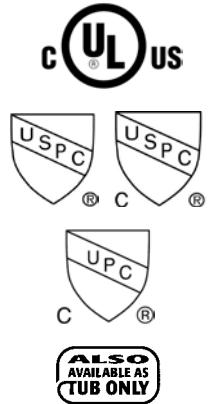
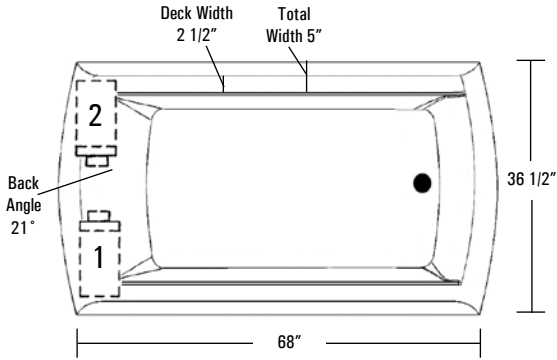
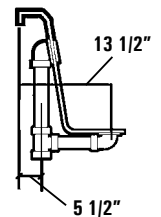


HOTSOAK 87 MOTIF AQUATIC

HOTSOAK SERIES MODEL # AI29AIR7236HS / AI29AIR7236TO (Tub Only)



Rough-In Plumbing Measurements



SPECIFICATIONS:

GENERAL SPECIFICATIONS:

Tub Size	73" x 36 1/2" x 25" 185 cm x 93.3 cm x 63.5 cm
Bathing Well	46" long 20" wide 23" interior depth
Maximum Water Depth	17"
Shipping Weight	203 lbs. / 92 kg
Tub Weight Filled	885 lbs. / 401 kg
Tub Only Weight	106 lbs. / 48 kg
Weight w/Equipment	127 lbs. / 58 kg
Gallons to Overflow	91 gal. / 344 L

ELECTRICAL SPECIFICATIONS:

Pump	1/15 HP; 1.3 AMP; 110V
Heater	1.5 kW; 12.5 AMP; 110V
Requirements	20 AMP; 110V, separate circuit required protected w/ Class A GFCI

STANDARD EQUIPMENT:

Aquatic Quality Features:

- 1.5 kW Inline Maintenance Heater
- Run-Dry Pump with 20-Minute Timer
- 2 Circulation Portal Covers
- Bath-Side On/Off Electronic Button
- "Quiet Pad" Anti-Vibration Pump Mount for Quiet Operation
- Slip Resistant Floor
- Extra Deep and Long Bathing Well
- Pre-leveled ABS Support Base
- Heat-bent Rigid PVC Piping for Optimum Sanitary Conditions
- Durable, Easy to Clean, Lucite® Cast Acrylic Surface
- Available in 8 Standard No-Charge Colors

UL & IAPMO Listed, Factory Tested
Limited Lifetime Warranty

OPTIONAL EQUIPMENT:

- Comfort Pillow - Oval or Rectangle
- Bolt-On Grab Bar
 - White, Biscuit, Chrome, Polished Brass, Gold, Polished Nickel, Satin Nickel or Oil Rubbed Bronze
- Lift & Turn Waste and Overflow
 - Chrome, Polished Brass, Gold, Polished Nickel, Satin Nickel or Oil Rubbed Bronze
- Cable Drive Waste and Overflow
 - Chrome, Polished Brass, Gold, Polished Nickel, Satin Nickel, Oil Rubbed Bronze or Color Matched (Bone, White and Biscuit Only)
- Optional Pump Location
- Premium Colors

All acrylic colors featured by Aquatic match the industry's leading fixture manufacturers.

This unit is not recommended for shower installations.

**Fax-On-Demand
Document #1304**

