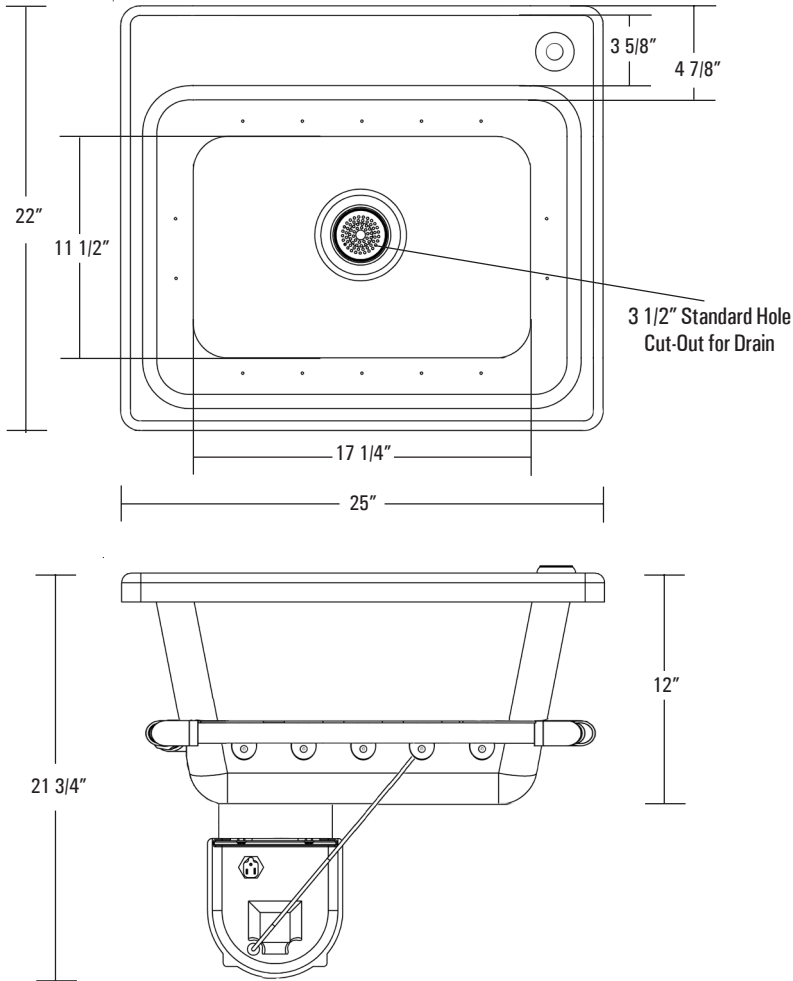


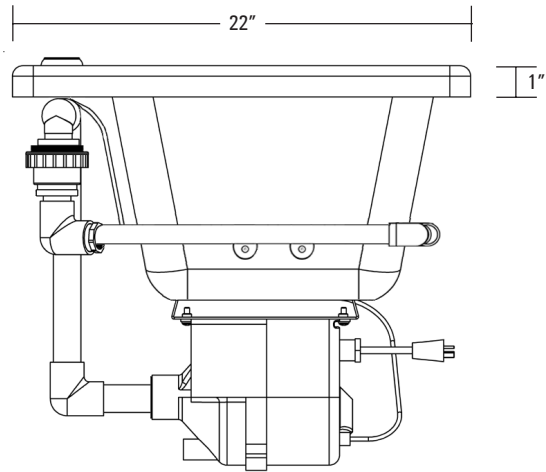
# DELICAIR II

AQUATIC

MODEL # AI2522SKAS / AI2522SKSO (Sink Only)



Faucet hardware and drain basket not included.



**Note:** Before drilling holes for your faucet system, check the position of the faucet to ensure that it will not interfere with the sink or its plumbing.

## SPECIFICATIONS:

### GENERAL SPECIFICATIONS:

Sink Size	25" x 22" x 12"
	56 cm x 63.5 cm x 30.5 cm
Sink Well	17 1/4" Long
	11 1/2" Wide
	11 3/16" Interior Depth
	11 3/16" Maximum Water Depth
Shipping Weight	38.4 lbs. / 17.42 kg
Sink Weight Filled	114.11 lbs. / 51.8 kg
Sink Empty Weight	17 lbs. / 7.7 kg
Sink Only Weight	7 lbs. / 3.1 kg
Gallons to Overflow	11.7 gal. / 44.3 L
Gallons to Operate	5.5 gal. / 20.8 L

### STANDARD EQUIPMENT:

- Air Jet Cleaning System:**
- On/Off Air Button
  - 14 Air Jets
  - 150 Watt Air Blower
- Aquatic Quality Features:**
- Acrylic Interior Sink Well
  - Available in White and Biscuit
- UL & IAPMO Listed, Factory Tested**  
**10 Year Warranty**

**Note:** The Delicair Laundry Basin can be ordered as a laundry sink only.

### ELECTRICAL SPECIFICATIONS:

Dedicated 120 V, 15 AMP, standard outlet, w/Class A GFCI

**Fax-On-Demand**  
**Document # 1091**



The manufacturer accepts a 1/4" variance. There are variations on each product and specifications are subject to change as we improve upon our product as required. The dimensions needed for site preparation and structure building should be measured from the product; Aquatic Industries, Inc. assumes no responsibility for preparatory work.