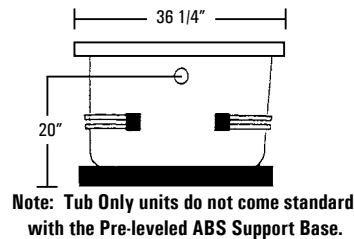
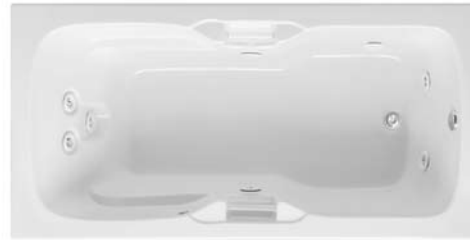
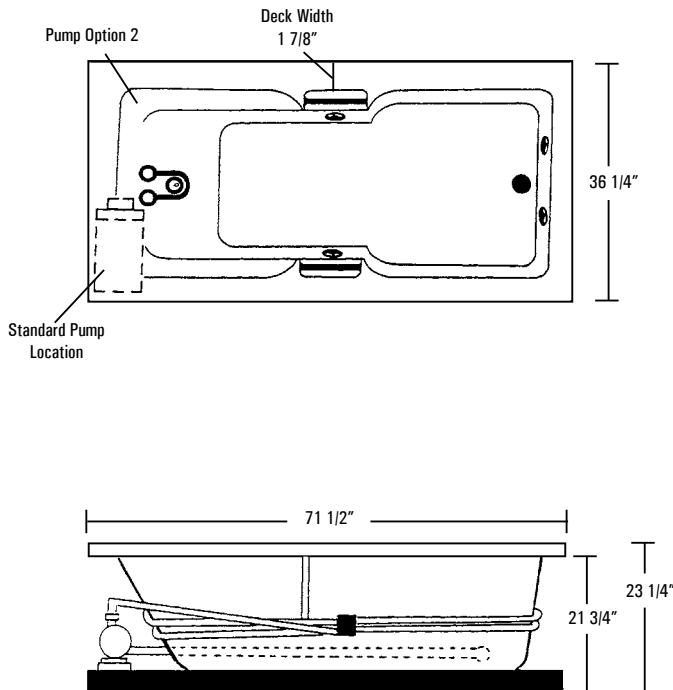


**LUXURY SERIES** MODEL # A17236R / A17236RTO (Tub Only)

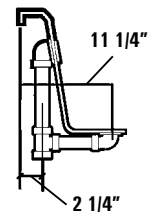
**NEXT DAY SHIP MODEL / WHIRLPOOL ONLY**

• Next Day Ship Model equipped with heater; upcharge applies.



**Note:** Tub Only units do not come standard with the Pre-leveled ABS Support Base.

**Rough-In Plumbing Measurements**



**SPECIFICATIONS:**

**GENERAL SPECIFICATIONS:**

Tub Size	71 1/2" x 36 1/4" x 23 1/4"
	182 cm x 92 cm x 59 cm
Bathing Well	48 1/2" long
	24" wide
	21 3/4" interior depth
Shipping Weight	209 lbs. / 95 kg
Tub Weight Filled	868 lbs. / 394 kg
Tub Only Weight	126 lbs. / 57 kg
Gallons to Overflow	90 gal. / 341 L
Gallons to Operate	71 gal. / 269 L

**ELECTRICAL SPECIFICATIONS:**

Pump Requirement	1.75 HP; 12 AMP; 110V
	15 AMP; 110V, separate circuit required protected w/ Class A GFCI
Optional Heater Requirement	1.5 kW; 12.5 AMP; 110V
	15 AMP; 110V, separate circuit required protected w/ Class A GFCI

**STANDARD EQUIPMENT:**

- 7 Hydrotherapy Jets including:**
- 4 Full Size Pressure-Flo Hydrotherapy Jets
  - 2 StressEaz Neck & Shoulder Therapy Jets
  - 1 Recessed Rotary Massage Jet
- Aquatic Quality Features:**
- 1.75 HP Run-Dry Pump with 20-Minute Timer
  - Bath-Side On/Off Electronic Button
  - "Quiet Pad" Anti-Vibration Pump Mount for Quiet Pump Operation
  - 2 Color Matched Grab Bars
  - 2 Arm Rests
  - Slip Resistant Floor
  - Pre-leveled ABS Support Base (Whirlpool)
  - Heat-bent Rigid PVC Piping for Optimum Sanitary Conditions
  - Durable, Easy to Clean, Lucite® Cast Acrylic Surface
  - Available in 8 Standard No-Charge Colors
- UL & IAPMO Listed, Factory Tested**  
**Limited Lifetime Warranty**

**OPTIONAL EQUIPMENT:**

- Chromotherapy LED Lighting
- Comfort Pillow -- Oval or Rectangle
- Jet Finish
  - Chrome, Polished Brass, Gold, Polished Nickel or Satin Nickel
- Grab Bar
  - White, Biscuit Chrome, Polished Brass, Gold, Polished Nickel, Satin Nickel or Oil Rubbed Bronze
- 1.5 kW Inline Maintenance Heater
- Lift & Turn Waste and Overflow
  - Chrome, Polished Brass, Gold, Polished Nickel, Satin Nickel or Oil Rubbed Bronze
- Cable Drive Waste and Overflow
  - Chrome, Polished Brass, Gold, Polished Nickel, Satin Nickel, Oil Rubbed Bronze or Color Matched (Bone, White and Biscuit Only)
- Factory Installed Rigid ABS Tile Flange
- 2 HP, 3-Speed Run-Dry Pump Upgrade
- Pre-leveled ABS Support Base (Tub Only)
- Optional Pump Location
- Remote Pump Location
- Color Matched Acrylic Skirt
- Hand Held Jet - Chrome or Polished Brass
- Premium Colors

*All acrylic colors featured by Aquatic match the industry's leading fixture manufacturers.*

**Fax-On-Demand Document # 1038**



The manufacturer accepts a 1/4" variance. There are variations on each tub and specifications are subject to change as we improve upon our product as required. The dimensions needed for site preparation and structure building should be measured from the tub; Aquatic Industries, Inc. assumes no responsibility for preparatory work. [www.aquaticwhirlpools.com](http://www.aquaticwhirlpools.com) 800.555.5324