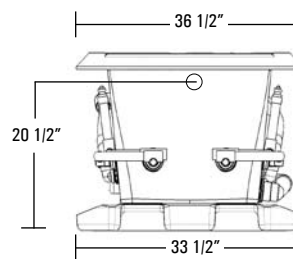
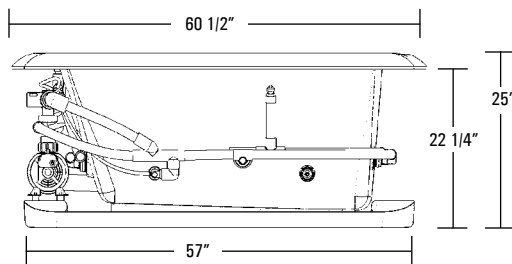
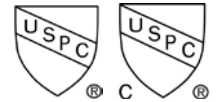
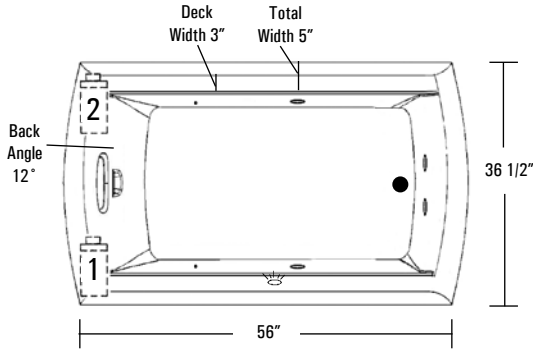


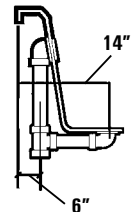
# CENTURY 50 MOTIF

AQUATIC

**CENTURY SERIES** MODEL # AI6036RC50 / AI32AIR6036TO (Tub Only)



**Rough-In Plumbing Measurements**



## SPECIFICATIONS:

### GENERAL SPECIFICATIONS:

Tub Size	60 1/2" x 36 1/2" x 25"
	153.7 cm x 92.7 cm x 63.5 cm
Bathing Well	37 1/2" long
	19" wide
	22 3/4" interior depth
Maximum Water Depth	17 3/4"
Shipping Weight	206 lbs. / 93 kg
Tub Weight Filled	749 lbs. / 340 kg
Tub Only Weight	95 lbs. / 43 kg
Weight w/Equipment	136 lbs. / 62 kg
Gallons to Overflow	74 gal. / 281 L
Gallons to Operate	55 gal. / 208 L

### ELECTRICAL SPECIFICATIONS:

Pump	2 HP; 11 AMP; 110V
Requirement	15 AMP; 110V, separate circuit required protected w/ Class A GFCI
Inline Heater	1.5 kW; 12 AMP; 110V
Requirement	15 AMP; 110V, separate circuit required protected w/ Class A GFCI

### STANDARD EQUIPMENT:

- 8 Hydrotherapy Jets including:**
- 4 Full Size Pressure-Flo Hydrotherapy Jets
  - 2 Pressure Plus Hydrotherapy Jets
  - 1 Recessed Rotary Massage Jets
  - 1 Recessed Fan Jet
- Aquatic Quality Features:**
- 2 HP, 3-Speed Run-Dry Pump
  - Bath-Side Electronic Control Panel
  - Chromatherapy LED Lighting
  - 1.5 kW Inline Maintenance Heater
  - "Quiet Pad" Anti-Vibration Pump Mount for Quiet Pump Operation
  - Slip Resistant Floor
  - Pre-leveled ABS Support Base
  - Heat-bent Rigid PVC Piping for Optimum Sanitary Conditions
  - Durable, Easy to Clean, Lucite® Cast Acrylic Surface
  - Available in 8 Standard No-Charge Colors
- UL & IAPMO Listed, Factory Tested Limited Lifetime Warranty**

### OPTIONAL EQUIPMENT:

- Comfort Pillow -- Oval or Rectangle
- Jet Finish
  - Chrome, Polished Brass, Gold, Polished Nickel or Satin Nickel
- Bolt-On Grab Bar
  - White, Biscuit, Chrome, Polished Brass, Gold, Polished Nickel, Satin Nickel, or Oil Rubbed Bronze
- Lift & Turn Waste and Overflow
  - Chrome, Polished Brass, Gold, Polished Nickel, Satin Nickel or Oil Rubbed Bronze
- Cable Drive Waste and Overflow
  - Chrome, Polished Brass, Gold, Polished Nickel, Satin Nickel, Oil Rubbed Bronze or Color Matched (Bone, White and Biscuit Only)
- Hand Held Jet - Chrome or Polished Brass
- Optional Pump Location
- Remote Pump Location
- Premium Colors

*All acrylic colors featured by Aquatic match the industry's leading fixture manufacturers.*

*This unit is not recommended for shower installations.*

**Fax-On-Demand Document # 1291**



The manufacturer accepts a 1/4" variance. There are variations on each tub and specifications are subject to change as we improve upon our product as required. The dimensions needed for site preparation and structure building should be measured from the tub; Aquatic Industries, Inc. assumes no responsibility for preparatory work.

www.aquaticwhirlpools.com 800.555.5324

January 2008