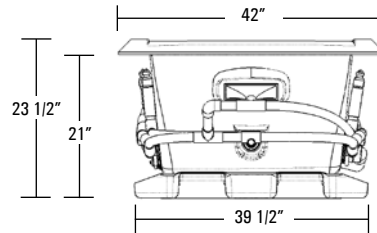
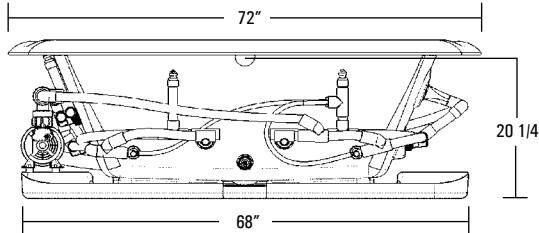
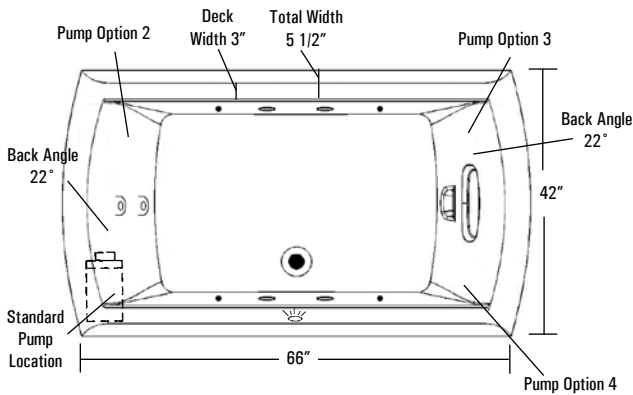


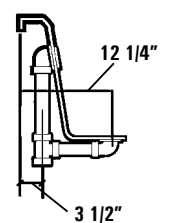
CENTURY 46 MOTIF

AQUATIC

CENTURY SERIES MODEL # AI7242RC46 / AI28AIR7242TO (Tub Only)



Rough-In Plumbing Measurements



SPECIFICATIONS:

GENERAL SPECIFICATIONS:

Tub Size	72" x 42" x 23 1/2"
	183 cm x 107 cm x 60 cm
Bathing Well	42" long
	26" wide
	21 1/4" interior depth
Maximum Water Depth	17 1/2"
Shipping Weight	244 lbs. / 111 kg
Tub Weight Filled	1062 lbs. / 482 kg
Tub Only Weight	138 lbs. / 63 kg
Weight w/Equipment	182 lbs. / 83 kg
Gallons to Overflow	106 gal. / 401 L
Gallons to Operate	1 bather: 87 gal. / 329 L
	2 bathers: 68 gal. / 257 L

ELECTRICAL SPECIFICATIONS:

Pump Requirement	2 HP; 11 AMP; 110V
Requirement	15 AMP; 110V, separate circuit required protected w/ Class A GFCI
Inline Heater Requirement	1.5 kW; 12 AMP; 110V
Requirement	15 AMP; 110V, separate circuit required protected w/ Class A GFCI

STANDARD EQUIPMENT:

- 12 Hydrotherapy Jets including:**
- 4 Full Size Pressure-Flo Hydrotherapy Jets
 - 4 Pressure Plus Hydrotherapy Jets
 - 3 Recessed Rotary Massage Jets
 - 1 Recessed Fan Jet
- Aquatic Quality Features:**
- 2 HP, 3-Speed Run-Dry Pump
 - Bath-Side Electronic Control Panel
 - Chromatherapy LED Lighting
 - 1.5 kW Inline Maintenance Heater
 - "Quiet Pad" Anti-Vibration Pump Mount for Quiet Pump Operation
 - Slip Resistant Floor
 - Pre-leveled ABS Support Base
 - Heat-bent Rigid PVC Piping for Optimum Sanitary Conditions
 - Durable, Easy to Clean, Lucite® Cast Acrylic Surface
 - Available in 8 Standard No-Charge Colors
- UL & IAPMO Listed, Factory Tested Limited Lifetime Warranty**

OPTIONAL EQUIPMENT:

- Comfort Pillow -- Oval or Rectangle
- Jet Finish
 - Chrome, Polished Brass, Gold, Polished Nickel or Satin Nickel
- Bolt-On Grab Bar
 - White, Biscuit, Chrome, Polished Brass, Gold, Polished Nickel, Satin Nickel, or Oil Rubbed Bronze
- Lift & Turn Waste and Overflow
 - Chrome, Polished Brass, Gold, Polished Nickel, Satin Nickel or Oil Rubbed Bronze
- Cable Drive Waste and Overflow
 - Chrome, Polished Brass, Gold, Polished Nickel, Satin Nickel, Oil Rubbed Bronze or Color Matched (Bone, White and Biscuit Only)
- Hand Held Jet - Chrome or Polished Brass
- Optional Pump Location
- Remote Pump Location
- Premium Colors

All acrylic colors featured by Aquatic match the industry's leading fixture manufacturers.

This unit is not recommended for shower installations.

Fax-On-Demand Document # 1073



The manufacturer accepts a 1/4" variance. There are variations on each tub and specifications are subject to change as we improve upon our product as required. The dimensions needed for site preparation and structure building should be measured from the tub; Aquatic Industries, Inc. assumes no responsibility for preparatory work. www.aquaticwhirlpools.com 800.555.5324